



# AUTO-ROLLER

## Parts List

to suit rollers from 1940 to 1989

**autoguide equipment**

Stockley Road, Heddington, Nr. Calne, Wiltshire, SN11 0PS England  
Telephone: 01380 850885 Fax: 01380 850010  
Web: [www.autoguide.co.uk](http://www.autoguide.co.uk) E-Mail: [Groundcare@autoguide.co.uk](mailto:Groundcare@autoguide.co.uk)



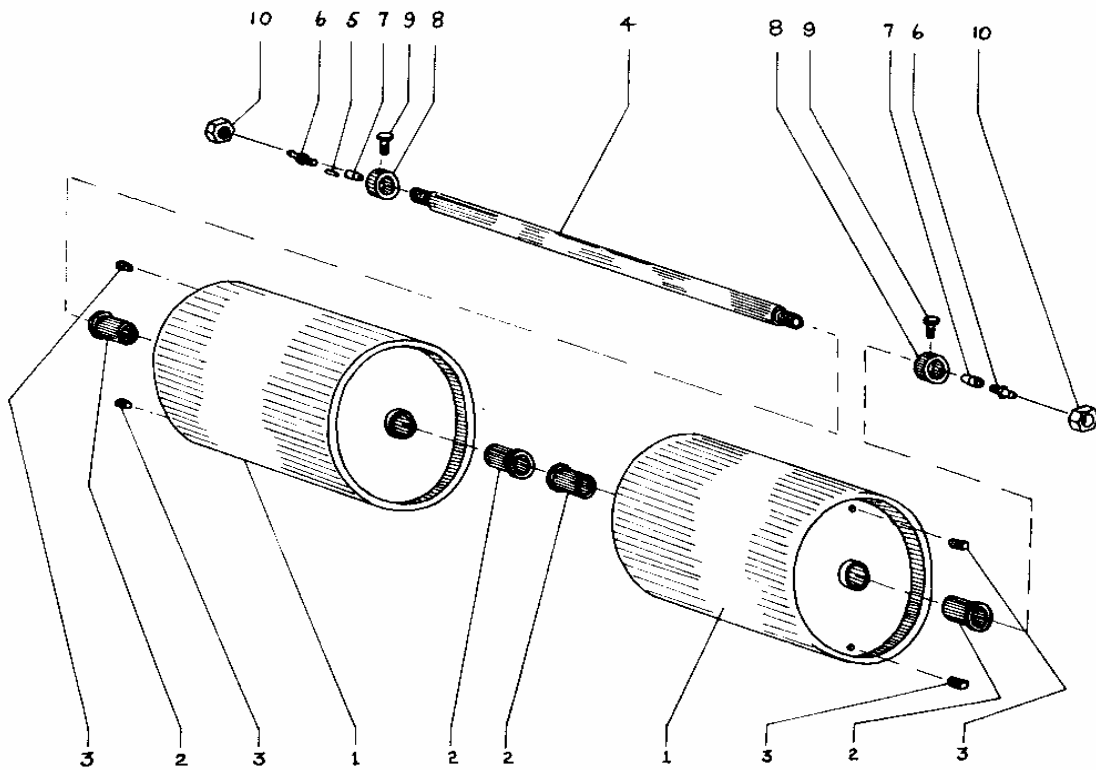
## CONTENTS

FRONT ROLLER	1
FRONT ROLLER FRAME	2
STEERING	3
EXTENSION FRAME	4
FRAME	5
FINAL DRIVE	6
FINAL DRIVE – EARLY TYPES	7
GEARBOX AND SHAFT	8
REAR ROLLER	10
BRAKE	11
SPRINKLER SYSTEM	12
ENGINE (PETROL)	13
PRIMARY DRIVE (PETROL)	14
CLUTCH SHAFT (PETROL)	15
CLUTCH – CLUTCH BRAKE (PETROL)	16
ENGINE (DIESEL)	17
BATTERY BOX (DIESEL)	18
STARTING SHAFT DIESEL	19
PRIMARY DRIVE DIESEL	20
CLUTCH (DIESEL)	21
CLUTCH WITHDRAWAL (DIESEL)	22
SECONDARY DRIVE (DIESEL)	23
GREASING POINTS	24



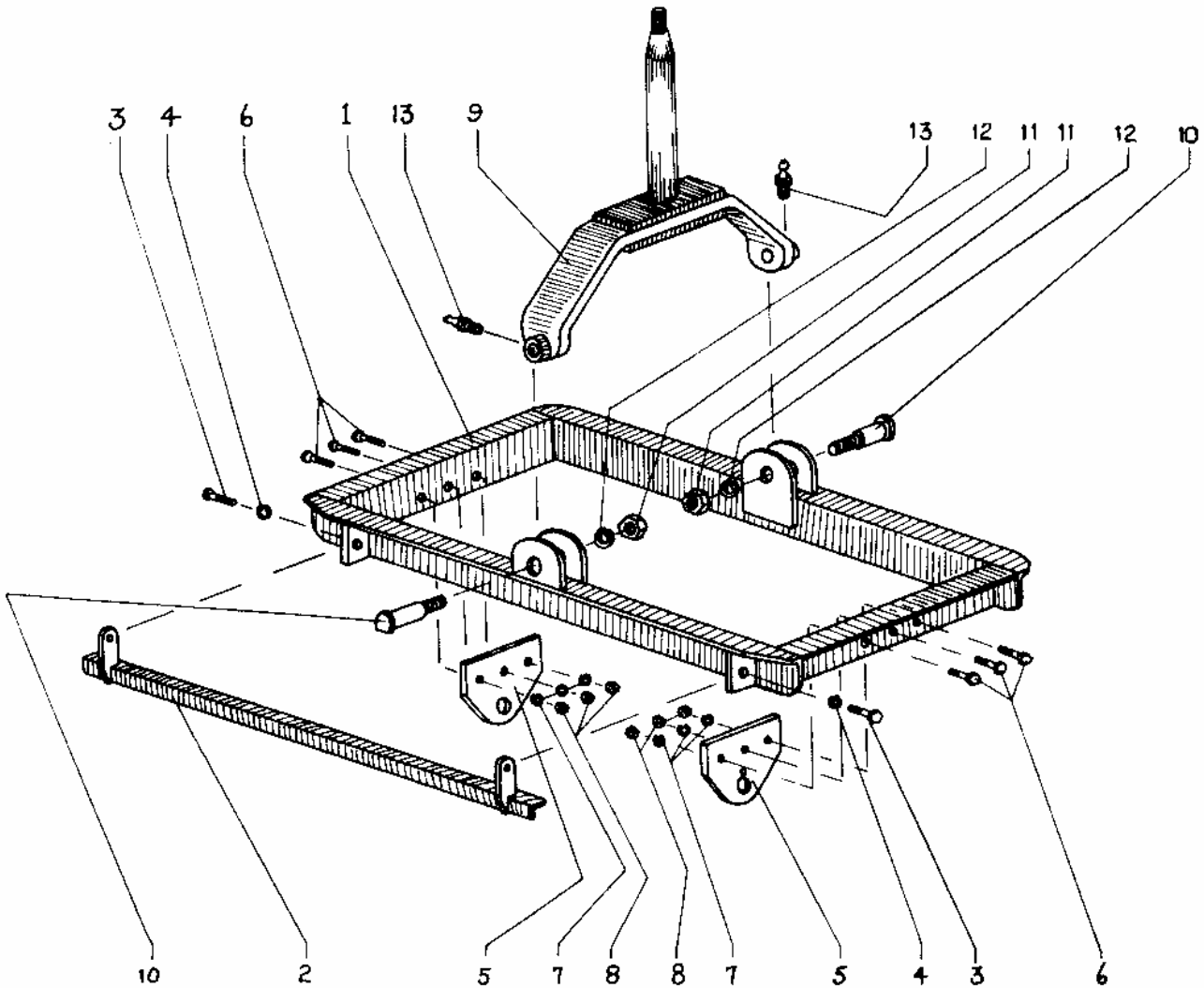
## FRONT ROLLER

ILLUS. No.	PART NO.		DESCRIPTION	PETROL		DIESEL	
	OLD	NEW		3ft	4ft	3ft	4ft
1.	3FR1	R040	Roller	2		2	
1.	4FR1	R068	Roller		2		2
2.	R11	R255	Bush, Roller	4	4	4	4
3.	34PP	02243	Plug, Water Ballast	4	4	4	4
4.	3FR5	R041	Shaft, Roller	1		1	
4.	4FR5	R069	Shaft, Roller		1		1
5.	3810	R020	Dowel	1	1	1	1
6.	NA6625	04782	Grease Nipple	2	2	2	2
7.	FR10	R162	Adaptor, Grease Nipple	2	2	2	2
8.	212COL	R307	Collar	2	2	2	2
9.	1207WS	04729	Set Screw	2	2	2	2
10.	112WN	04707	Nut, Shaft	2	2	2	2



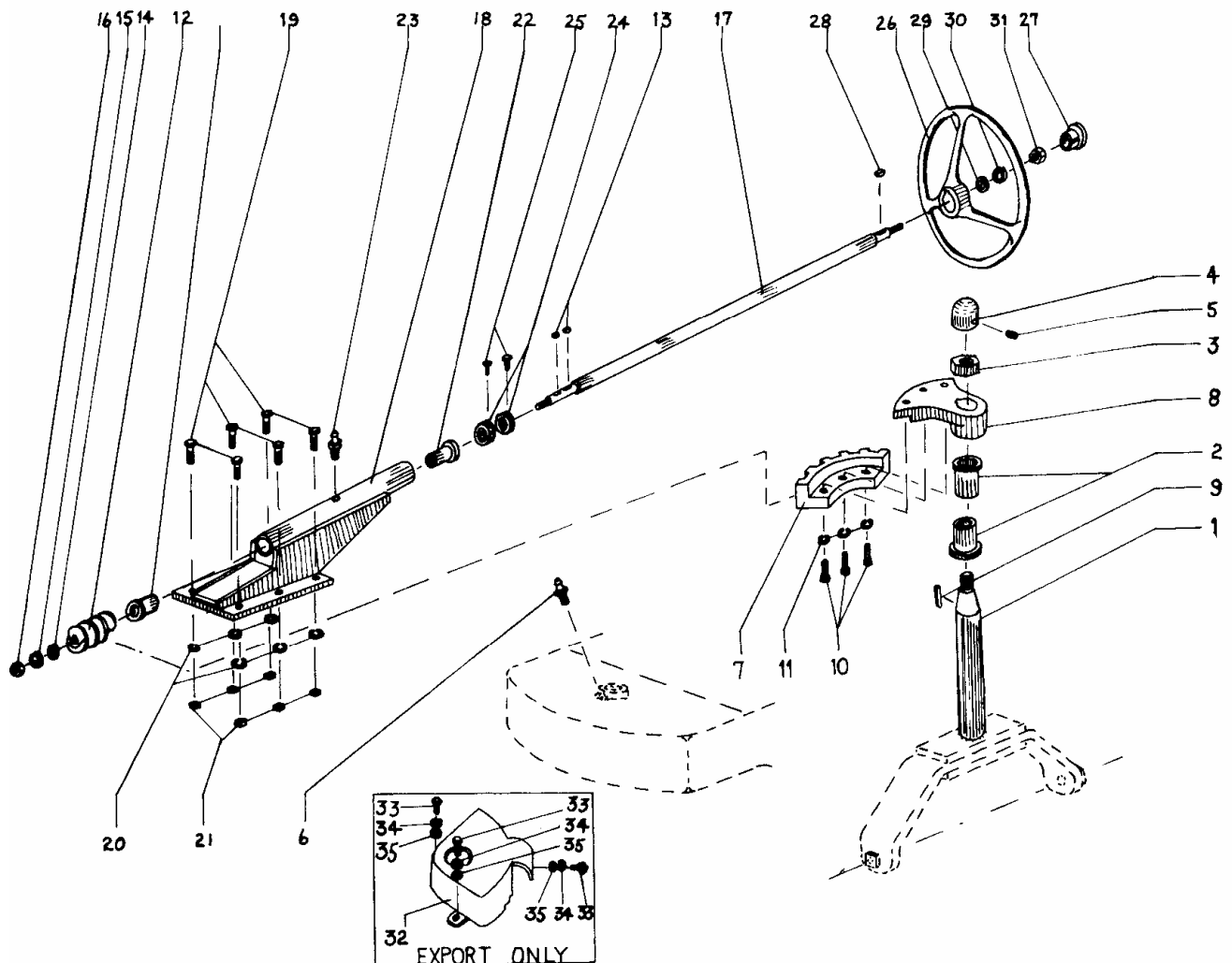
## FRONT ROLLER FRAME

ILLUS. No.	PART NO.		DESCRIPTION	PETROL		DIESEL	
	OLD	NEW		3ft	4ft	3ft	4ft
1.	3RF1	R044	Frame, Front Roller	1		1	
1.	4RF1	R072	Frame, Front Roller		1		1
2.	3RF2	R045	Scraper, Front Foller	1		1	
2.	4RF2	R073	Scraper, Front Roller		1		1
3.	1208CS	04731	Set Screw	2	2	2	2
4.	12SW	04711	Spring Washer	2	2	2	2
5.	RF3	R257	Plate, Shaft Fixing	2	2	2	2
6.	1210CB	04732	Bolt, Plate	6	6	6	6
7.	12SW	04711	Spring Washer	6	6	6	6
8.	12CN	04709	Nut	6	6	6	6
9.	RF4	R258	U' Piece c/w King Pin	1	1	1	1
10.	RF5	R259	Swivel Pin	2	2	2	2
11.	10CN	04705	Nut, Swivel Pin	2	2	2	2
12.	10SW	04706	Spring Washer	2	2	2	2
13.	NA6625	04782	Grease Nipple	2	2	2	2

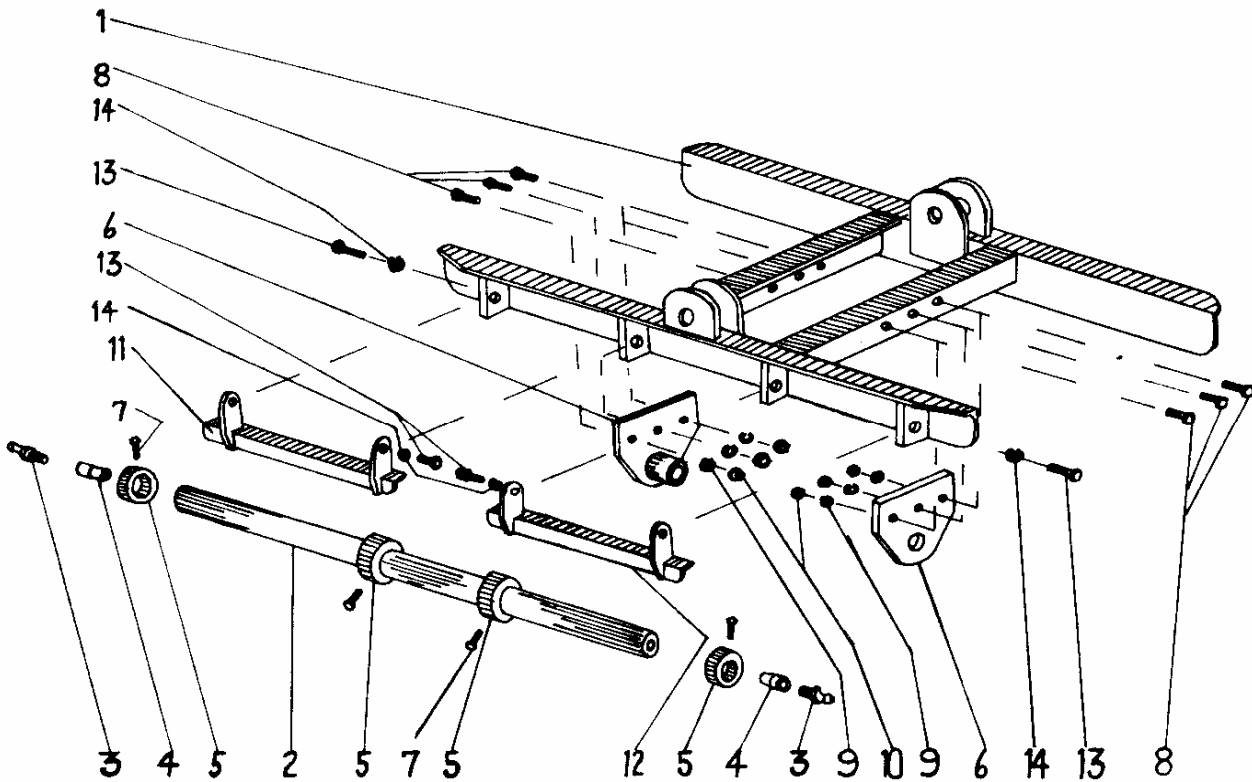


## STEERING

ILLUS. No.	PART NO.		DESCRIPTION	PETROL		DIESEL	
	OLD	NEW		3ft	4ft	3ft	4ft
1.	S1	R271	King Pin	1	1	1	1
2.	R11	R255	Bush, King Pin	2	2	2	2
3.	S3	R278	Nut	1	1	1	1
4.	S4	R279	Cap, King Pin	1	1	1	1
5.	38WA	04720	Allen Screw, Cap	1	1	1	1
6.	NA6625	04782	Grease Nipple, King Pin Tube	1	1	1	1
7.			No Longer Available				
8.			No Longer Available				
9.	S8	R282	Key, Segment Adaptor	1	1	1	1
10.	1216CB	04736	Bolt	3	3	3	3
11.	12SW	04711	Spring Washer	3	3	3	3
12.	S10	R272	Worm	1	1	1	1
13.	14WW	R010	Key, Worm	2	2	2	2
14.	58PW	02555	Plain Washer (Thick)	1	1	1	1
15.	58SW	04727	Spring Washer	1	1	1	1
16.	58CN	04726	Nut	1	1	1	1
17.	3S12	R050	Column, Steering	1		1	
17.	4S12	R078	Column, Steering		1		1
18.			No Longer Available				
19.	1210CB	04732	Bolt	6	6	6	6
20.	12SW	04711	Spring Washer	6	6	6	6
21.	12CN	04709	Nut	6	6	6	6
22.	S14	R274	Bush, Column	2	2	2	2
23.	NA6625	04782	Grease Nipple, Tube	1	1	1	1
24.	118COL	R008	Collar, Column	2	2	2	2
25.	51605FS	04761	Set Screw	2	2	2	2
26.	S17	R275	Wheel Steering	1	1	1	1
27.	S19	R276	Cap, Steering Wheel	1	1	1	1
28.	316WW	R018	Key, Steering Wheel	1	1	1	1
29.	58PW	02555	Plain Washer (Thick)	1	1	1	1
30.	58SW	04727	Spring Washer	1	1	1	1
31.	58CN	04726	Nut	1	1	1	1
32.			No Longer Available				
33.			No Longer Available				
34.			No Longer Available				
35.			No Longer Available				

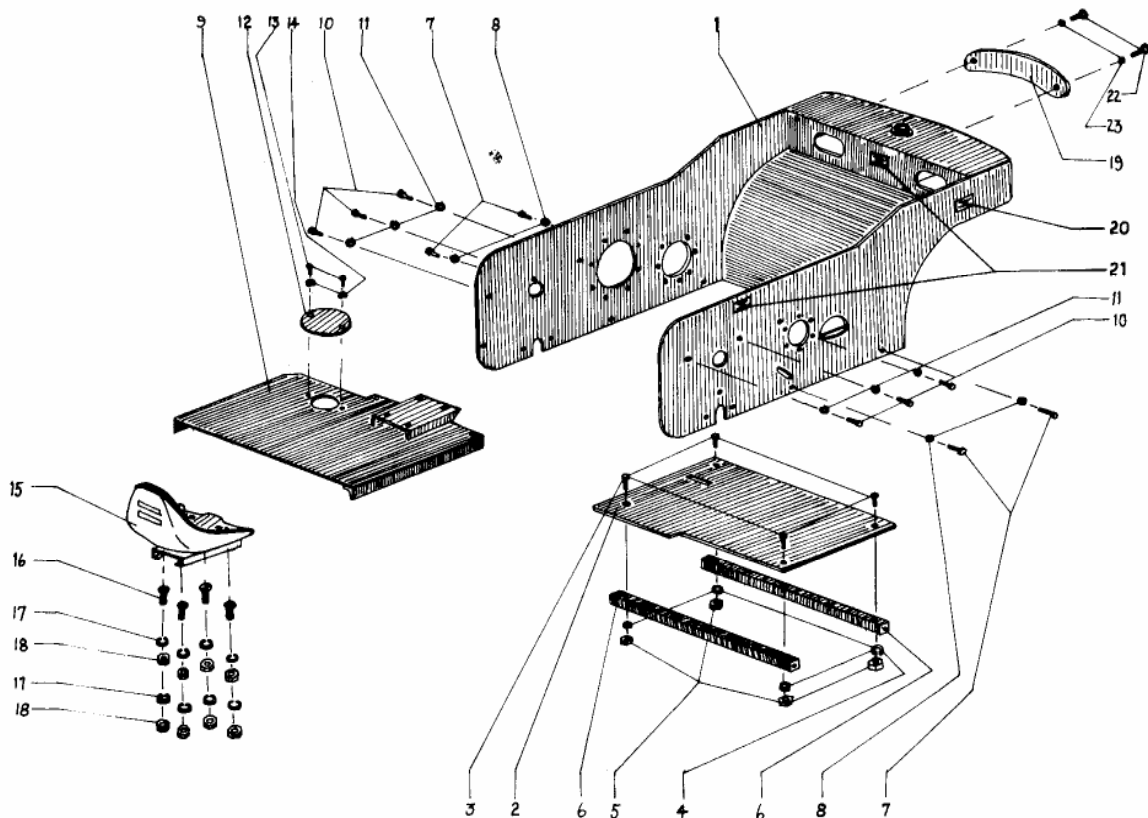


EXTENSION FRAME (OPTION)							
ILLUS. No.	PART NO.		DESCRIPTION	PETROL		DIESEL	
	OLD	NEW		3ft	4ft	3ft	4ft
1.	3EF1	R028	Frame, Extension	1		1	
1.	4EF1	R056	Frame, Extension		1		1
2.	3EF2	R029	Shaft, Roller	1		1	
2.	4EF2	R057	Shaft, Roller		1		1
3.	NA6625	04782	Grease Nipple	2	2	2	2
4.	FR10	R162	Adaptor, Grease Nipple	2	2	2	2
5.	212COL	R307	Collar, Shaft	4	4	4	4
6.	EF5	R140	Plate, Shaft Bearing	2	2	2	2
7.	1207WS	04729	Set Screw	4	4	4	4
8.	1210CB	04732	Bolt	6	6	6	6
9.	12SW	04711	Spring Washer	6	6	6	6
10.	12CN	04709	Nut	6	6	6	6
11.	3EF6	R030	Scraper L.H.	1		1	
11.	4EF6	R058	Scraper L.H.		1		1
12.	3EF7	R031	Scraper R.H.	1		1	
12.	4EF7	R059	Scraper R.H.		1		1
13.	1208CS	04731	Set Screw	4	4	4	4
14.	12SW	04711	Spring Washer	4	4	4	4



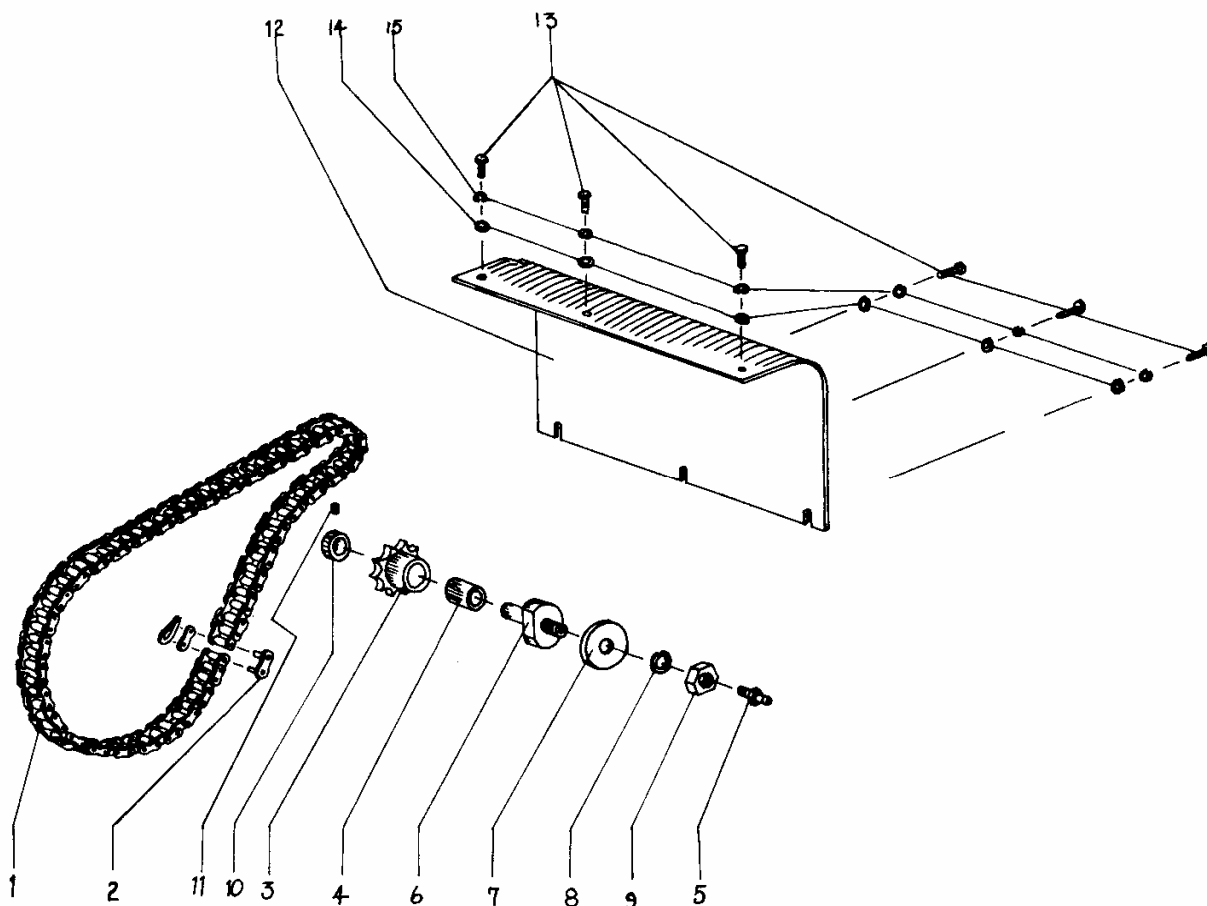


FRAME							
ILLUS. No.	PART NO.		DESCRIPTION	PETROL		DIESEL	
	OLD	NEW		3ft	4ft	3ft	4ft
1.			No Longer Available				
1.			No Longer Available				
1.			No Longer Available				
1.			No Longer Available				
2.			No Longer Available				
2.			No Longer Available				
2.			No Longer Available				
2.			No Longer Available				
3.			No Longer Available				
4.			No Longer Available				
5.			No Longer Available				
6.			No Longer Available				
6.			No Longer Available				
7.			No Longer Available				
8.			No Longer Available				
9.			No Longer Available				
9.			No Longer Available				
10.			No Longer Available				
11.			No Longer Available				
12.			No Longer Available				
13.			No Longer Available				
14.			No Longer Available				
15.			No Longer Available				
16.			No Longer Available				
17.			No Longer Available				
18.			No Longer Available				
19.			No Longer Available				
20.			No Longer Available				
21.			No Longer Available				
22.			No Longer Available				
23.			No Longer Available				



## FINAL DRIVE

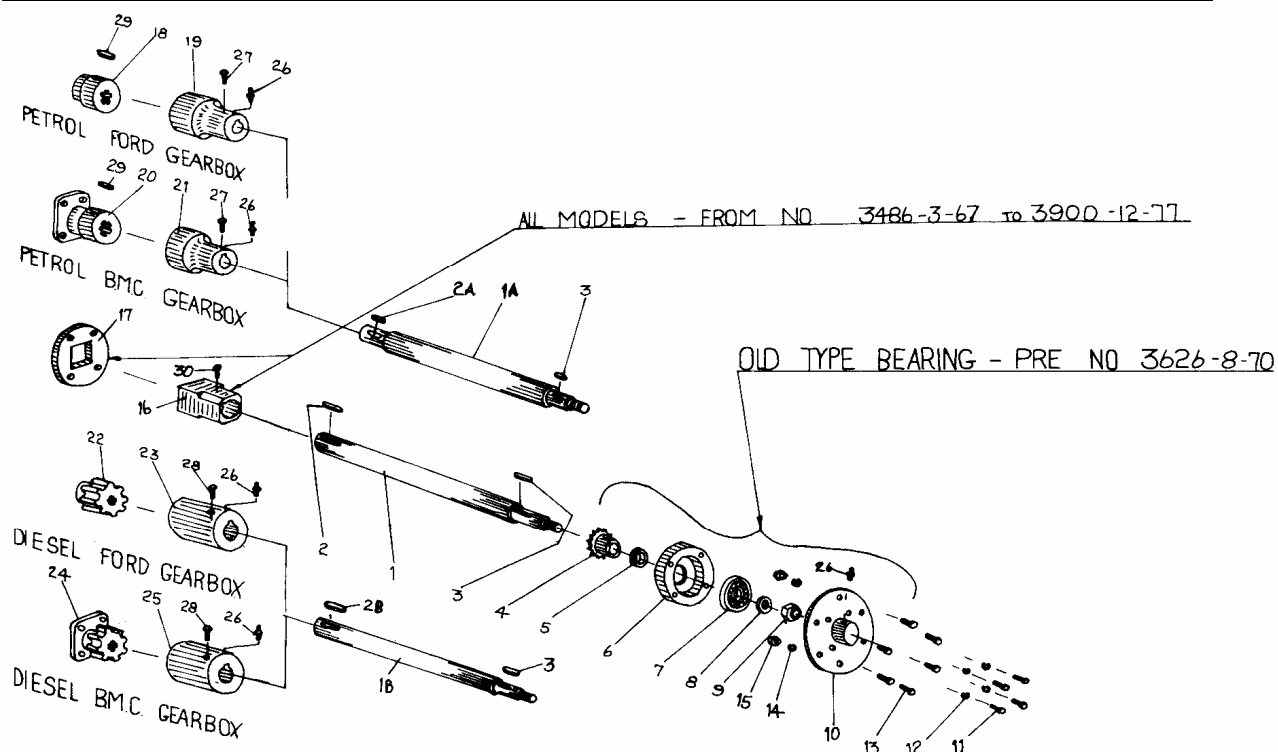
ILLUS. No.	PART NO.		DESCRIPTION	PETROL		DIESEL	
	OLD	NEW		3ft	4ft	3ft	4ft
1.	FD1/D	R157	Chain			1	1
1.	FD1/P	R158	Chain	1	1		
2.			No Longer Available				
3.	FD2	R159	Sprocket, Jockey	1	1	1	1
4.	GH916	R190	Bush, Jockey Sprocket	1	1	1	1
5.	NA6625	04782	Grease Nipple	1	1	1	1
6.	FD5	R160	Pin	1	1	1	1
7.	FD7	R161	Washer	1	1	1	1
8.	10SW	04706	Spring Washer	1	1	1	1
9.	10FN	02017	Nut	1	1	1	1
10.	114COL	R006	Collar	1	1	1	1
11.	516WA	04725	Allen Screw	1	1	1	1
12.	3F11P	R033	Guard, Final Drive	1			
12.	3F11D	R032	Guard, Final Drive			1	
12.	4F11P	R061	Guard, Final Drive		1		
12.	4F11D	R060	Guard, Final Drive				1
13.	51605FS	04761	Set Screw	5	6	5	7
14.	516PW	04723	Plain Washer	5	6	5	7
15.	516SW	04724	Spring Washer	5	6	5	7



## FINAL DRIVE SHAFT (EARLY TYPES)

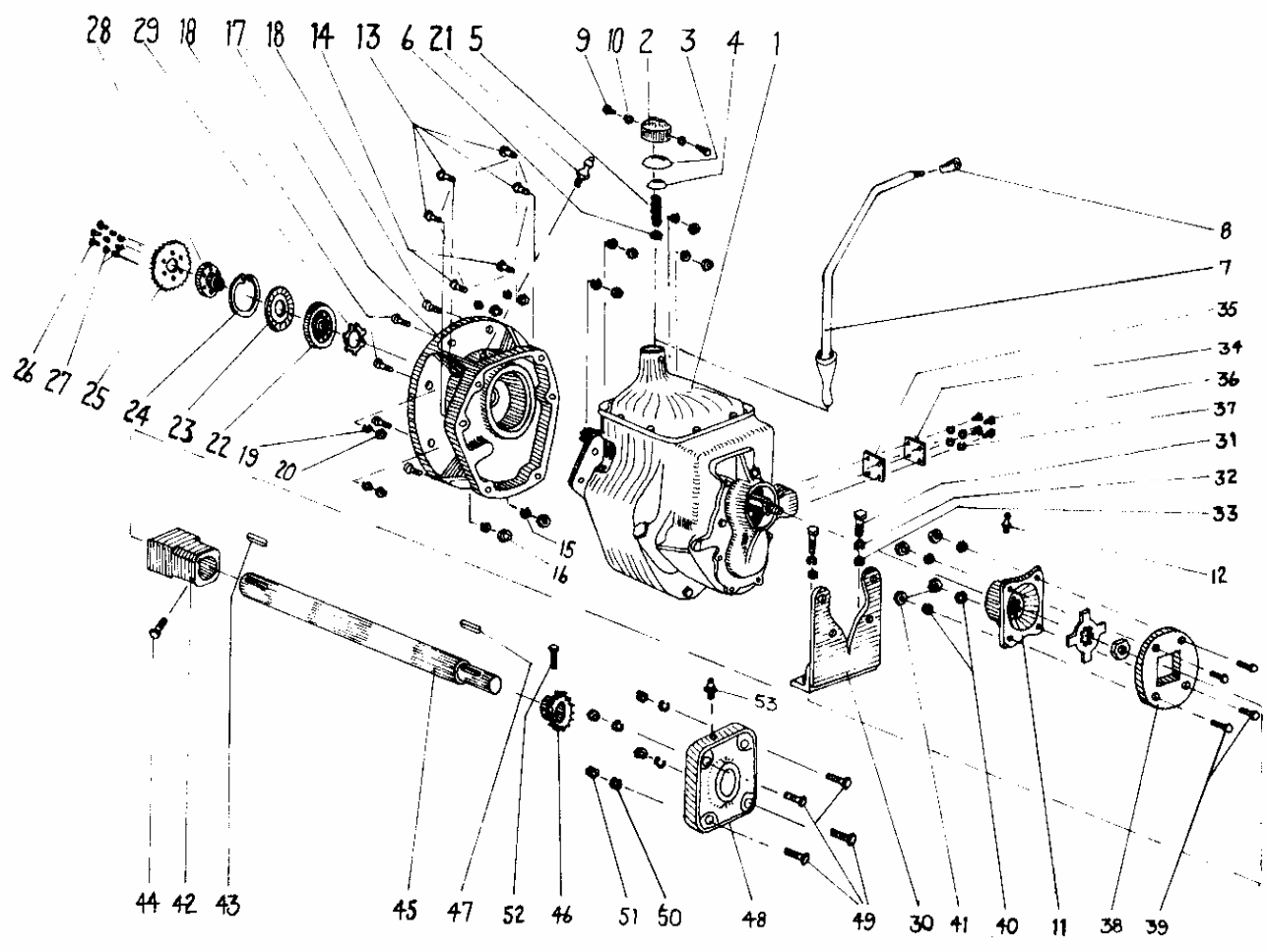
(See Illustration for Serial No. Identification)

ILLUS. No.	PART NO.		DESCRIPTION	PETROL		DIESEL	
	OLD	NEW		FORD	BMC	FORD	BMC
1.	FS6A	R181	Shaft	1	1	1	1
1A.	FS6B	R182	Shaft	1	1		
1B.	FS6C	R183	Shaft			1	1
2.	3816K	R021	Key	1	1	1	1
2A.	1220K	R305	Key	1	1		
2B.	1220K	R305	Key			1	1
3.	1213K	R306	Key	1	1	1	1
4.	FS8PA	R187	Sprocket 10T	1	1		
4.	FS8DA	R185	Sprocket 19T			1	1
5.	FS10	R164	Distance Piece	1	1	1	1
6.	FS12	R165	Housing, Ballrace	1	1	1	1
7.	RLS12	R260	Ballrace	1	1	1	1
8.	1002PW	R002	Washer Bearing	1	1	1	1
9.	11BLN	4708	Lock Nut	1	1	1	1
10.	FS14	R166	Cap, Final Drive	1	1	1	1
11.	3808CS	4752	Set Screw	4	4	4	4
12.	38SW	4719	Spring Washer	4	4	4	4
13.	3808CB	#N/A	Bolt	6	6	6	6
14.	38SW	4719	Spring Washer	6	6	6	6
15.	38CN	4717	Nut	6	6	6	6
16.	FS3	R169	Coupling Male	1	1	1	1
17.	FS5	R175	Coupling Female	1	1	1	1
18.	FS3B	R170	Coupling Male	1	1		
19.	FS5B	R177	Coupling Female	1	1		
20.	FS3C	R171	Coupling Male	1	1		
21.	FS5C	R178	Coupling Female	1	1		
22.	FS3D	R172	Coupling Male			1	1
23.	FS5D	R179	Coupling Female			1	1
24.	FS3E	R173	Coupling Male			1	1
24.	FS5E	R180	Coupling Female			1	1
26.	FS5E	R180	Grease Nipple	2	2	2	2
27.	3806CS	4748	Set Screw	1	1		
28.	3812CS	4756	Set Screw			1	1
29.	1206K	R009	Key	1	1		
30.	3808CS	4752	Set Screw	1	1	1	1



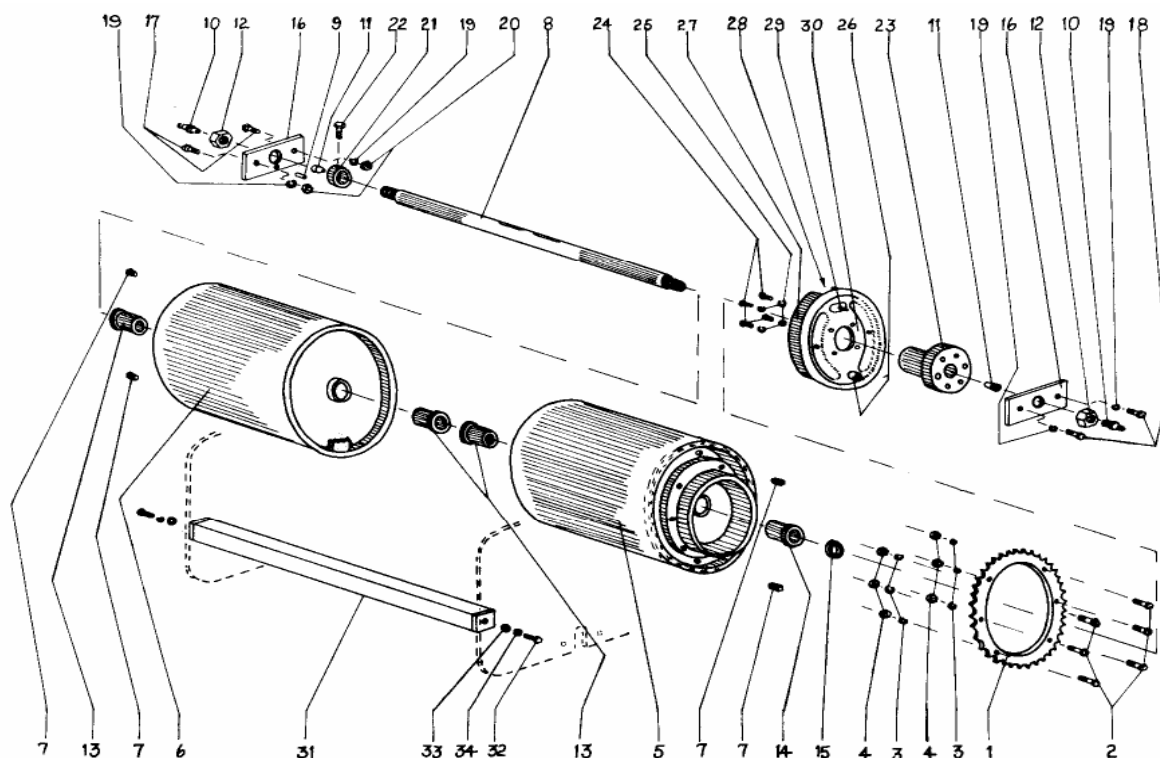
## GEARBOX & SHAFT

ILLUS. No.	PART NO.		DESCRIPTION	PETROL		DIESEL	
	OLD	NEW		3ft	4ft	3ft	4ft
1.			No Longer Available				
2.			No Longer Available				
3.			No Longer Available				
4.			No Longer Available				
5.			No Longer Available				
6.			No Longer Available				
7.	1K3676	R011	Lever	1	1	1	1
8.	22G110	R015	Knob	1	1	1	1
9.			No Longer Available				
10.			No Longer Available				
11.	AEK3187	R084	Flange	1	1	1	1
12.	NA6625	04782	Grease Nipple	1	1	1	1
13.			No Longer Available				
14.			No Longer Available				
15.			No Longer Available				
16.			No Longer Available				
17.			No Longer Available				
18.			No Longer Available				
19.			No Longer Available				
20.			No Longer Available				
21.			No Longer Available				
22.	RLS18	R262	Bearing	1	1	1	1
23.	PD26	R248	Cover Plate, Bearing	1	1	1	1
24.	PD27	R249	Circlip	1	1	1	1
25.	LSD15	R227	Chain Wheel	-	-	1	1
25.	PD15	R243	Chain Wheel	1	1	-	-
26.	3810CB	04754	Bolt	6	6	6	6
27.	38SW	04719	Spring Washer	6	6	6	6
28.			No Longer Available				
29.			No Longer Available				
30.			No Longer Available				
31.			No Longer Available				
32.			No Longer Available				
33.			No Longer Available				
34.	FS18	R167	Cover Plate Speedo Connection	1	1	1	1
35.	FS19	R168	Gasket	1	1	1	1
36.	1404FS	04744	Set Screw	4	4	4	4
37.	14SW	04715	Spring Washer	4	4	4	4
38.	FS5A	R176	Coupling, Female	1	1	1	1
39.	71616CB	04773	Bolt	4	4	4	4
40.	12SW	04711	Spring Washer	4	4	4	4
41.	12CN	04709	Nut	4	4	4	4
42.	FS3	R169	Coupling, Male	1	1	1	1
43.	FS4	R174	Key	1	1	1	1
44.	3808CS	04752	Set Screw	1	1	1	1
45.	3FS6	R042	Shaft, Final Drive	1	-	1	-
45.	4FS6	R070	Shaft, Final Drive	-	1	-	1
46.	FS8P	R186	Sprocket	1	1	-	-
46.	FS8D	R184	Sprocket	-	-	1	1
47.	FS9	R188	Key	1	1	1	1
48.	MSF $\frac{1}{2}$	R236	Bearing	1	1	1	1
49.	5812CB	04771	Bolt	4	4	4	4
50.	58SW	04727	Spring Washer	4	4	4	4
51.	58SW	04727	Nut	4	4	4	4
52.	3806CS	04748	Set Screw	1	1	1	1
53.	NA6625	04782	Grease Nipple	1	1	1	1

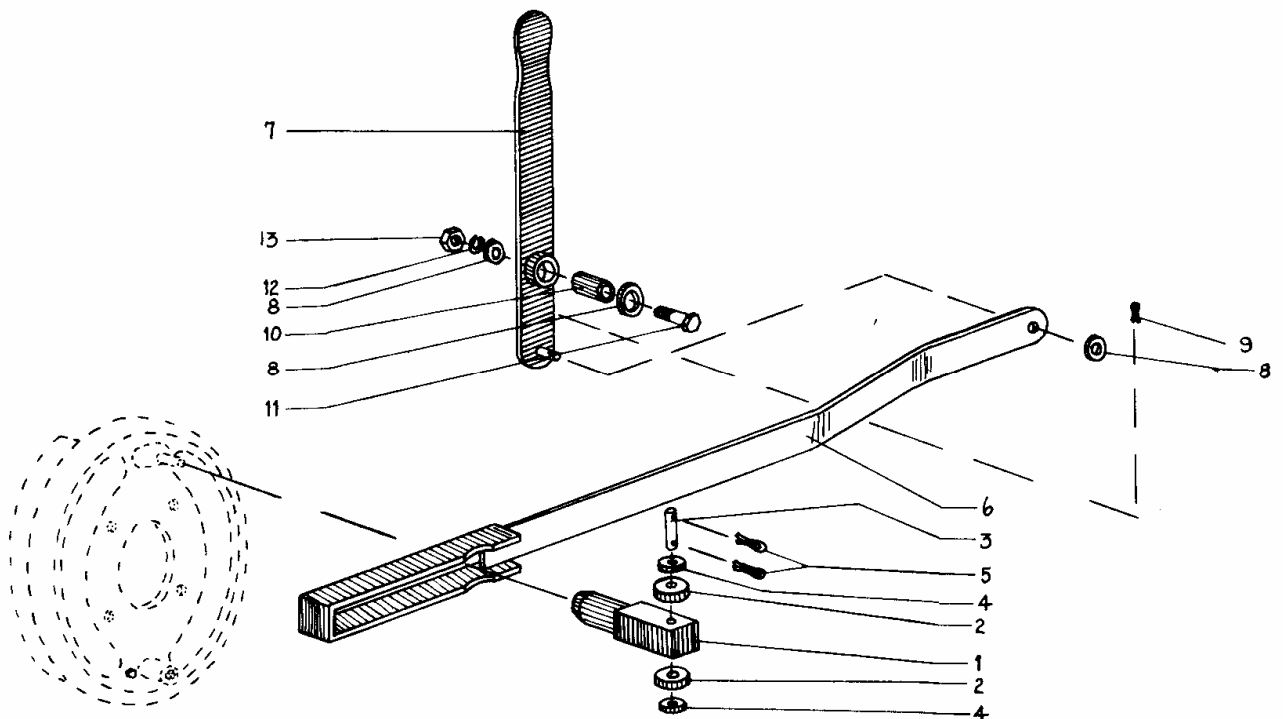


## REAR ROLLER

ILLUS. No.	PART NO.		DESCRIPTION	PETROL		DIESEL	
	OLD	NEW		3ft	4ft	3ft	4ft
1.	RR1	R263	Chain Wheel	1	1	1	1
2.	I214CB	04735	Bolt	6	6	6	6
3.	I2SW	04711	Spring Washer	6	6	6	6
4.	I2CN	04709	Nut	6	6	6	6
5.	3RR2	R047	Roller, Rear off side	1		1	
5.	4RR2	R075	Roller, Rear off side		1		1
6.	3RR3	R048	Roller, Rear near side	1		1	
6.	4RR3	R076	Roller, Rear near side		1		1
7.	34PP	02243	Plug, Water Ballast	4	4	4	4
8.	3RR7	R049	Shaft, Rear Roller	1		1	
8.	4RR7	R077	Shaft, Rear Roller		1		1
9.	3810	R020	Dowel Pin	1	1	1	1
10.	NA6625	04782	Grease Nipple	2	2	2	2
11.	FR10	R162	Adaptor, Grease Nipple	2	2	2	2
12.	I12WN	04707	Nut, Shaft	2	2	2	2
13.	R11	R255	Bush, Roller	3	3	3	3
14.	R11S	R256	Bush, Roller (Seal)	1	1	1	1
15.	L01B	R191	Oil Seal	1	1	1	1
16.	RR14	R264	Plate, Locking Roller Shaft	2	2	2	2
17.	I212CB	04733	Bolt (near side)	2	2	2	2
18.	I214CB	04735	Bolt (off side)	2	2	2	2
19.	I2SW	04711	Spring Washer	4	4	4	4
20.	I2CN	04709	Nut	2	2	2	2
21.	I212COL	R307	Collar	1	1	1	1
22.	I207WS	04729	Set Screw	1	1	1	1
23.	RR24	R270	Adaptor, Brake	1	1	1	1
24.	3808CS	04752	Set Screw	4	4	4	4
25.	38SW	04719	Spring Washer	4	4	4	4
26.			No Longer Available				
27.			No Longer Available				
28.	RR21	R267	Spring, Shoe	2	2	2	2
29.	RR22	R268	Expander Unit	1	1	1	1
30.	RR23	R269	Adjuster Unit	1	1	1	1
31.			No Longer Available				
31.			No Longer Available				
32.	I208CS	04731	Set Screw	2	2	2	2
33.	I2PW	04710	Plain Washer	2	2	2	2
34.	I2SW	04711	Spring Washer	2	2	2	2

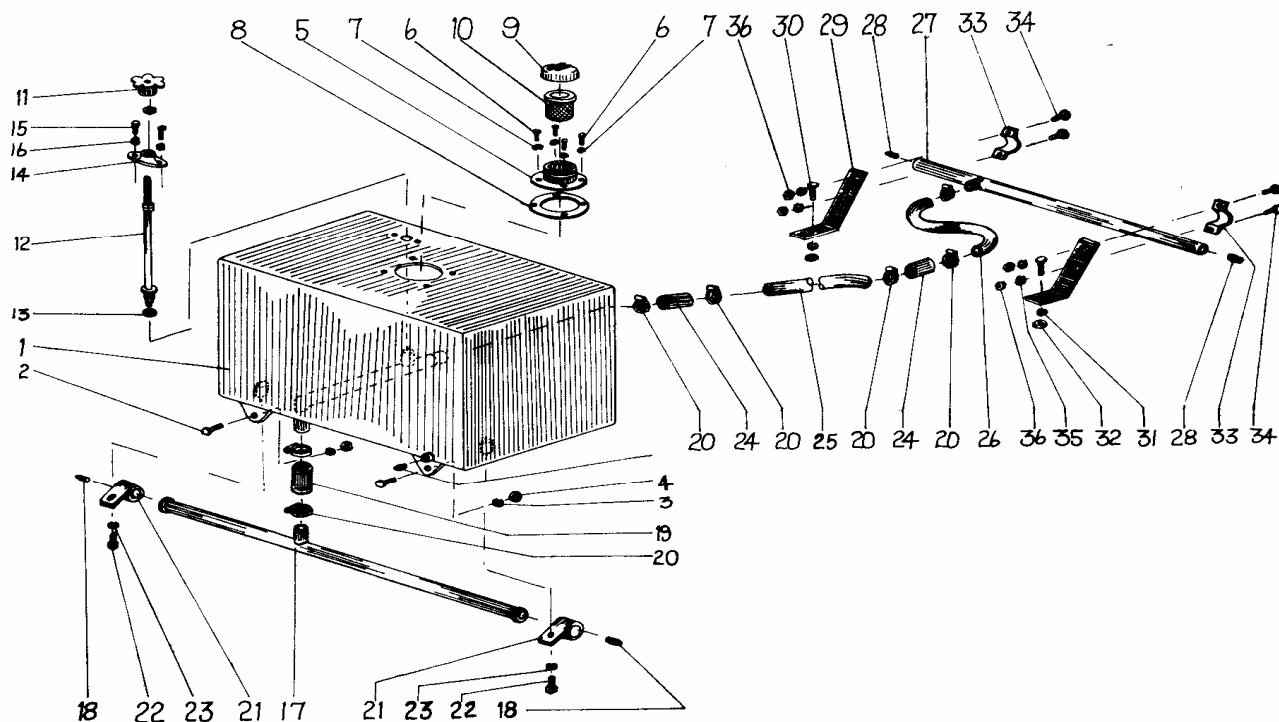


BRAKE OPERATING HANDLE							
ILLUS. No.	PART NO.		DESCRIPTION	PETROL		DIESEL	
	OLD	NEW		3ft	4ft	3ft	4ft
1.	B1	R087	Block, Expander	1	1	1	1
2.	B2	R090	Roller, Block	2	2	2	2
3.	B3	R091	Pin, Roller	1	1	1	1
4.	38PW	04718	Plain Washer	2	2	2	2
5.	1804SP	04775	Split Pin	2	2	2	2
6.	B4	R092	Wedge, Operating	1	1	1	1
7.			No Longer Available				
8.	12PW	04710	Plain Washer	2	2	2	2
9.	1806SP	04777	Split Pin	1	1	1	1
10.	B12	R088	Distance Piece	1	1	1	1
11.	B13	R089	Bolt Thin Head	1	1	1	1
12.	12SW	04711	Spring Washer	1	1	1	1
13.	12CN	04709	Nut	1	1	1	1



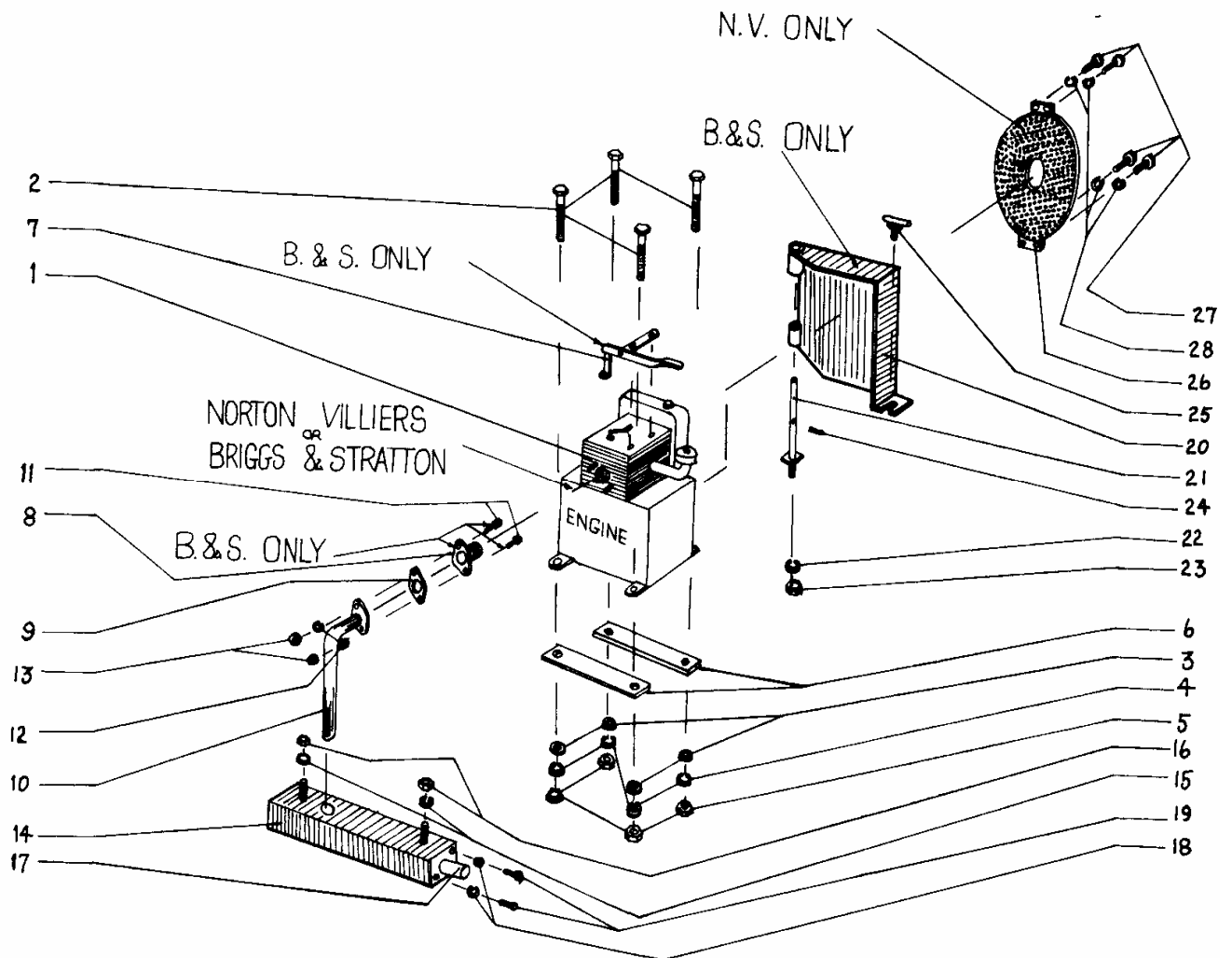
### SPRINKLER SYSTEM (OPTION)

ILLUS. No.	PART NO.		DESCRIPTION	PETROL		DIESEL	
	OLD	NEW		3ft	4ft	3ft	4ft
1.			No Longer Available				
1.			No Longer Available				
2.			No Longer Available				
3.			No Longer Available				
4.			No Longer Available				
5.			No Longer Available				
6.			No Longer Available				
7.			No Longer Available				
8.			No Longer Available				
9.			No Longer Available				
10.			No Longer Available				
11.			No Longer Available				
12.			No Longer Available				
13.			No Longer Available				
14.			No Longer Available				
15.			No Longer Available				
16.			No Longer Available				
17.			No Longer Available				
17.			No Longer Available				
18.			No Longer Available				
19.			No Longer Available				
20.			No Longer Available				
21.			No Longer Available				
22.			No Longer Available				
23.			No Longer Available				
24.			No Longer Available				
25.			No Longer Available				
26.			No Longer Available				
27.			No Longer Available				
27.			No Longer Available				
28.			No Longer Available				
29.			No Longer Available				
30.			No Longer Available				
31.			No Longer Available				
32.			No Longer Available				
33.			No Longer Available				
34.			No Longer Available				
35.			No Longer Available				
36.			No Longer Available				



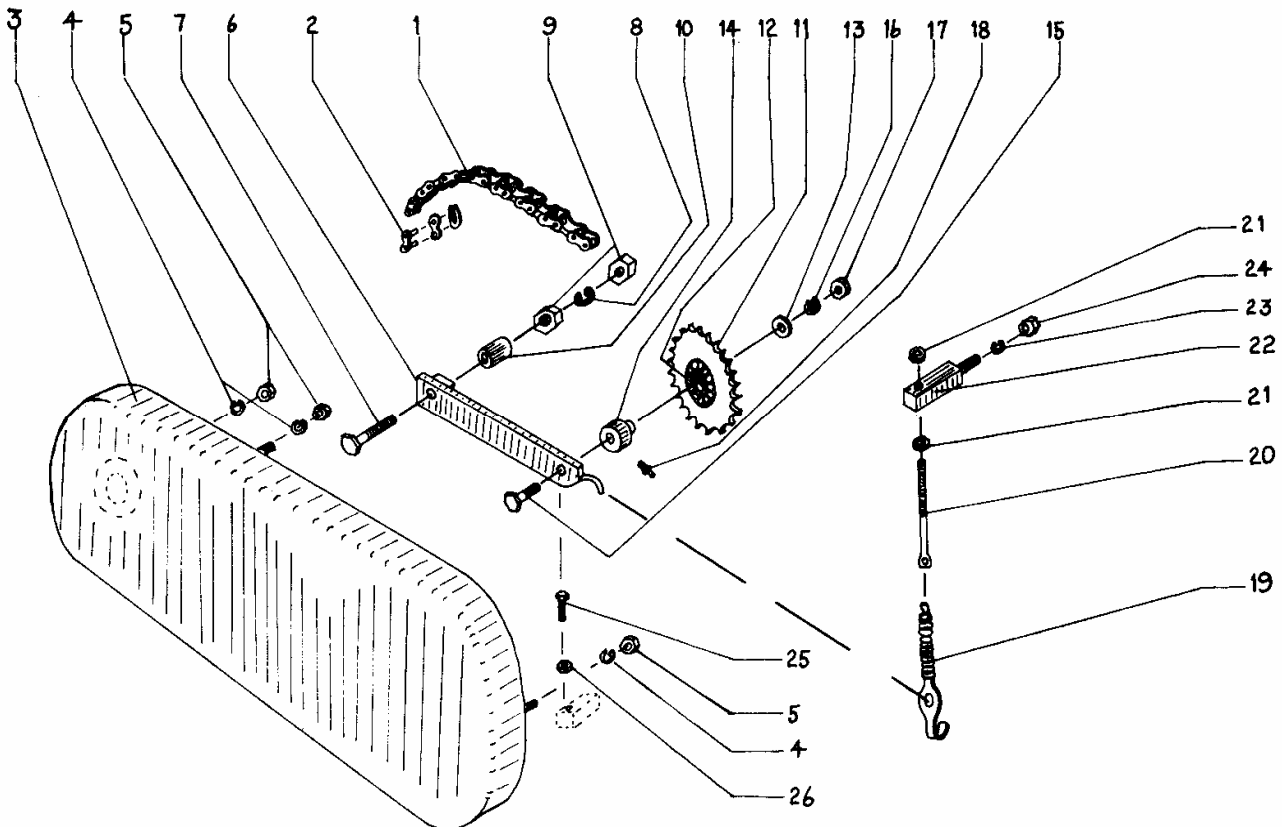


ENGINE/PETROL					
ILLUS. No.	PART NO.		DESCRIPTION	PETROL	
	OLD	NEW		3ft	4ft
1.			No Longer Available		
2.			No Longer Available		
3.			No Longer Available		
4.			No Longer Available		
5.			No Longer Available		
6.			No Longer Available		
7.			No Longer Available		
8.	F8A	R152	Stube Exhaust complete with flange. B.S.	1	1
9.	F8B	R154	Gasket	1	1
10.	F8F	R155	Pipe, Exhaust	1	1
11.	51607FS	04765	Set Screw. B.S. Only	2	2
12.	516SW	04724	Spring Washer	2	2
13.	516FN	04722	Nut	2	2
14.	F9	R156	Silencer	1	1
15.	38SW	04719	Spring Washer	2	2
16.	38CN	04717	Nut	2	2
17.	F10	R142	Tube, Silencer	1	1
18.	516SW	04724	Spring Washer	2	2
19.	51608FS	04767	Set Screw	2	2
20.	F15	R143	Guard, Starter Pully. B.S. Only	1	1
21.	F15A	R144	Pillar B.S. Only	1	1
22.			No Longer Available		
23.			No Longer Available		
24.	1808SP	04776	Split Pin B.S. Only	2	2
25.	F24	R150	Wing Bolt B.S. Only	1	1
26.			No Longer Available		
27.			No Longer Available		
28.			No Longer Available		



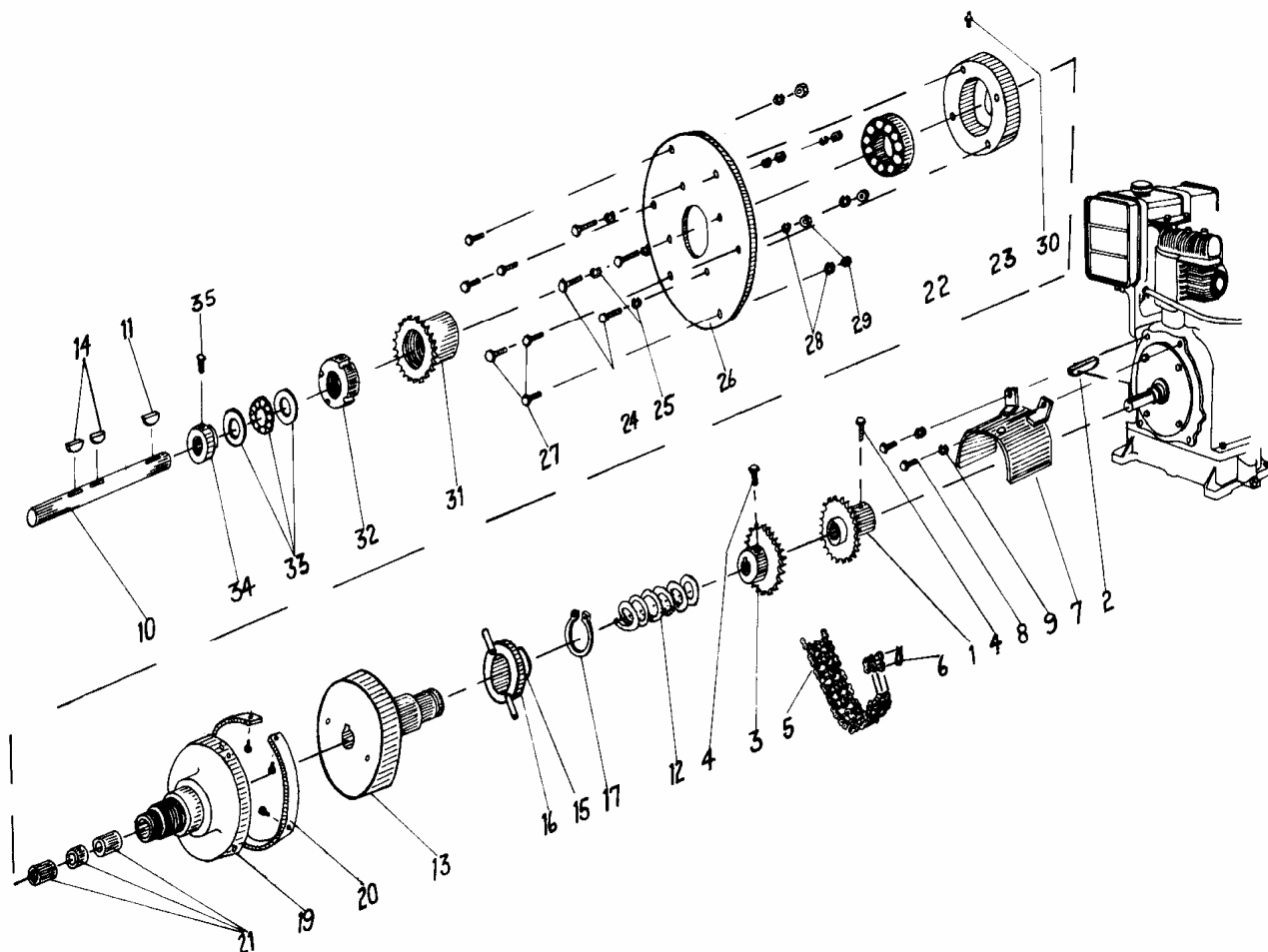
## PRIMARY DRIVE/PETROL

ILLUS. No.	PART NO.		DESCRIPTION	PETROL	
	OLD	NEW		3ft	4ft
1.	PD1	R238	Chain	1	1
2.	11004626	R003	Connecting Link	1	1
3.	PD2	R246	Chain Case	1	1
4.	38SW	04719	Spring Washer	3	3
5.	38CN	04717	Nut	3	3
6.	PD3P	R250	Arm, Jockey	1	1
7.	1224BB	04739	Swivel Pin	1	1
8.	12SW	04711	Spring Washer	1	1
9.	12BN	04743	Nut	2	2
10.	PD5	R252	Distance Piece	1	1
11.	PD7	R254	Sprocket Jockey	1	1
12.	EE5	R139	Bearing	1	1
13.	PD9	04718	Washer Bearing	1	1
14.	PD10	R239	Adaptor, Bearing	1	1
15.	3814CB	04757	Bolt	1	1
16.	38SW	04719	Spring Washer	1	1
17.	38CN	04717	Nut	1	1
18.	NA6625	04782	Grease Nipple, Adapter	1	1
19.	LSD11	R225	Spring , Jockey Arm	1	1
20.	PD13	R240	Adjuster, Spring	1	1
21.	14FN	04712	Nut	2	2
22.	PD14P	R242	Pillar, Spring Adapter	1	1
23.	12SW	04711	Spring Washer	1	1
24.	12CN	04709	Nut	1	1
25.	51612FS	04770	Screw Adjuster, Jockey Stop	1	1
26.	516FN	04722	Nut	1	1



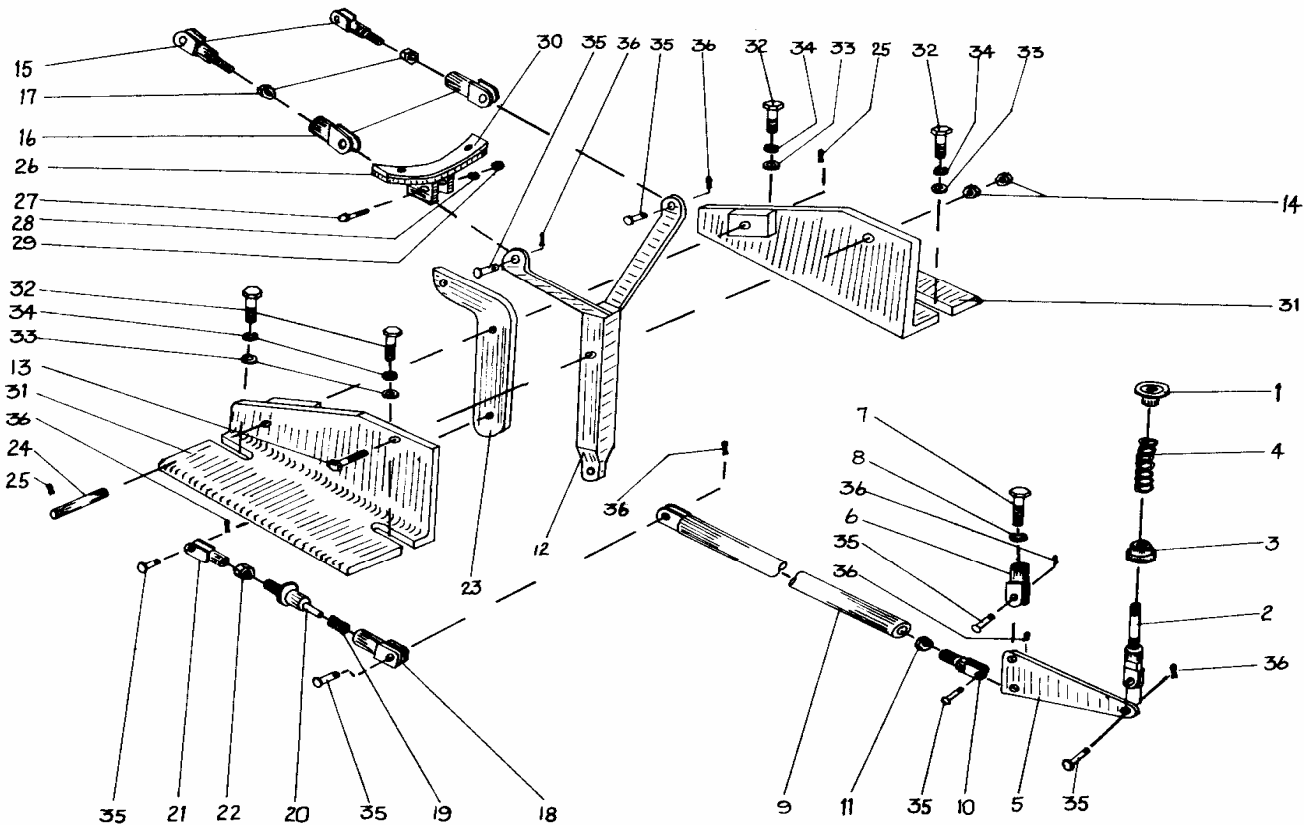
## CLUTCH SHAFT/PETROL

ILLUS. No.	PART NO.		DESCRIPTION	PETROL	
	OLD	NEW		3ft	4ft
1.	CS1	R112	Sprocket, Engine Shaft	1	1
2.	14WW	R010	Key	1	1
3.	CS3	R122	Sprocket, Clutch Shaft	1	1
4.	51606FS	04763	Set Screw	2	2
5.	CS4	R123	Chain Engine Coupling	1	1
6.	11404626	R005	Connecting Link	1	1
7.	CS5A	R124	Guard, Engine Coupling	1	1
8.	71605BS	04772	Set Screw	2	2
9.	716SW	04728	Spring Washer	2	2
10.	CS6	R125	Clutch Shaft	1	1
11.	14WW	R010	Key, Sprocket	1	1
12.	CS8	R126	Spring	1	1
13.	CS10	R113	Clutch Cone (Male)	1	1
14.	14WW	R010	Key, Clutch Cone	2	2
15.	1/W.2.1/16	R001	Thrust Race	1	1
16.	CS12A	R114	Housing	1	1
17.	AM1400-206	R086	Circlip	1	1
18.	NA6625	04782	Grease Nipple	1	1
19.	CS17	R115	Clutch Cone, Female	1	1
20.	CS18	R116	Lining c/w Rivets	1	1
21.	BS185	R094	Bush, Clutch Cone	3	3
22.	RLS14	R261	Ball Race, Clutch Cone	1	1
23.	CS21	R117	Housing, Ball Race	1	1
24.	3808BS	04750	Set Screw	4	4
25.	38SW	04719	Spring Washer	4	4
26.	CS22	R118	Plate Housing	1	1
27.	3808BB	04749	Set Screw	6	6
28.	38SW	04719	Spring Washer	6	6
29.	38CN	04717	Nut	6	6
30.	NA6625	04782	Grease Nipple, Housing	1	1
31.	CS25	R119	Sprocket	1	1
32.	CS26	R120	Lock Nut Sprocket	1	1
33.	SKF09	R283	Thrust Race	1	1
34.	CS28	R121	Collar, Thrust Race	1	1
35.	51605FS	04761	Set Screw	1	1

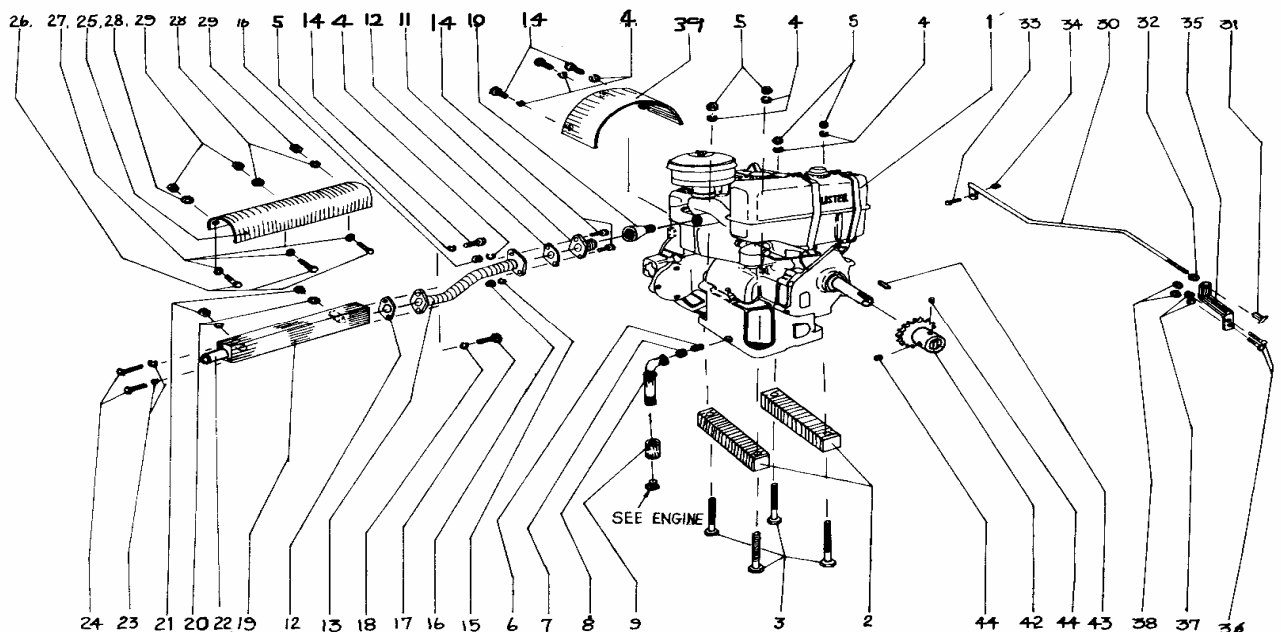


## CLUTCH, CLUTCH BRAKE/PETROL

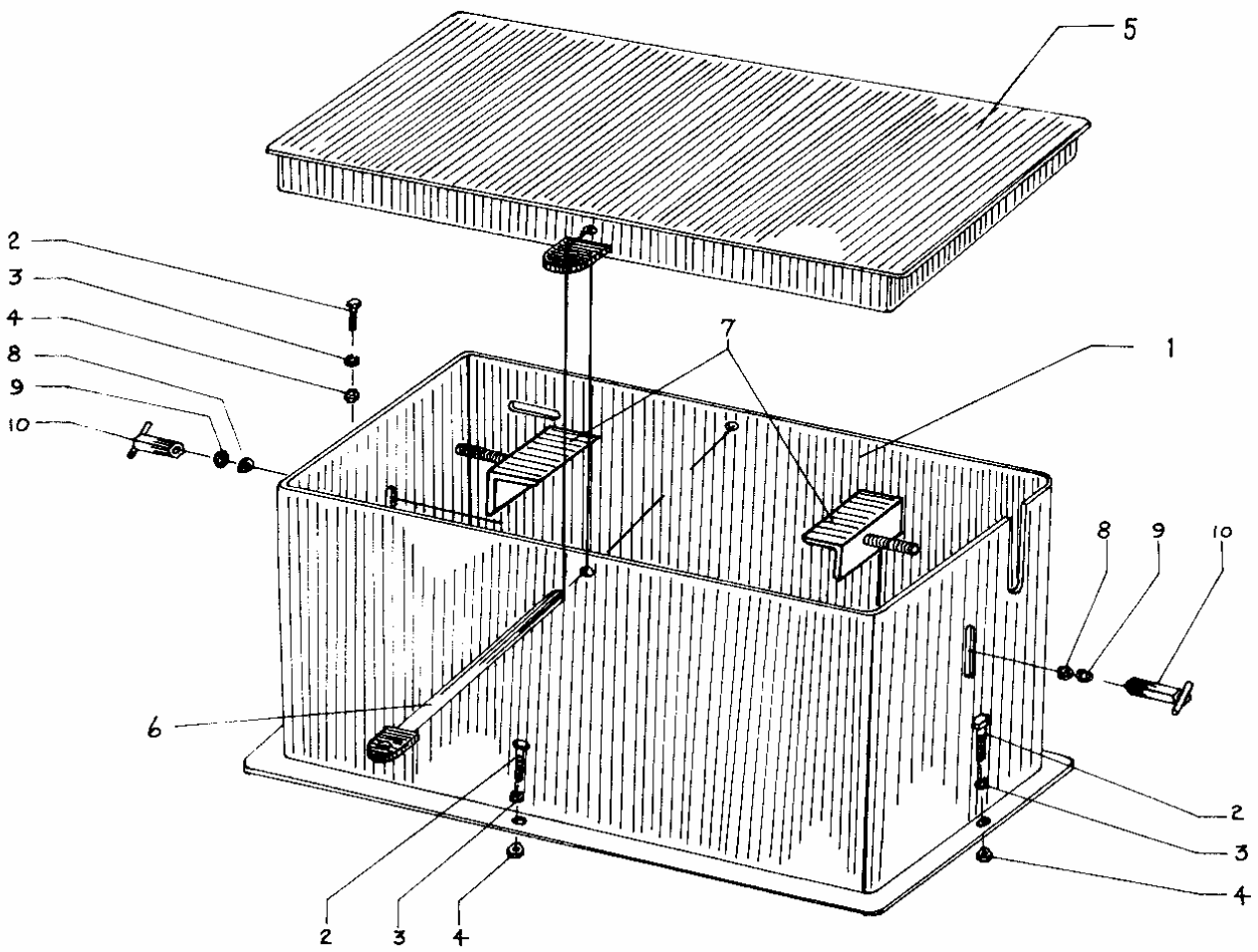
ILLUS. No.	PART NO.		DESCRIPTION	PETROL	
	OLD	NEW		3ft	4ft
1.	C1	R095	Pedal	1	1
2.	C2	R106	Rod c/w Clevis, Push	1	1
3.	C3	R107	Guide, Push Rod	1	1
4.	C4	R108	Spring	1	1
5.	C5	R109	Plate, Fulcrum	1	1
6.	C14	R100	Clevis, Female Fulcrum Mounting	1	1
7.	3808BB	04749	Set Screw	1	1
8.	38SW	04719	Spring Washer	1	
9.	3C7	R026	Rod c/w Clevis, Clutch Operating		1
9.	4C7	R054	Rod c/w Clevis, Clutch Operating	1	1
10.	C8	R110	Clevis Male Adjusting	1	1
11.	38BN	04729	Lock Nut	1	1
12.	C9	R111	Fork, Clutch Withdrawal	1	1
13.	3814CB	04757	Bolt	2	2
14.	38CN	04717	Nut	2	2
15.	C10	R096	Clevis, Male, Clutch Adjuster	2	2
16.	C14	R100	Clevis, Female, Clutch Adjuster	2	2
17.	38BN	04729	Nut, Lock	1	1
18.	C11	R097	Yoke, Brake Operating	1	1
19.	C12	R098	Spring	1	1
20.	C13	R099	Adjuster, Brake	1	1
21.	C14	R100	Clevis, Female. Brake Adjuster	1	1
22.	38BN	04729	Nut Lock	1	1
23.	C15	R101	Arm, Brake Operating	1	1
24.	C16	R102	Pin, Arm Pivot	1	1
25.	1806SP	04777	Split Pin	2	2
26.	C17	R103	Pad, Brake	1	1
27.	1408FB	04747	Bolt	1	1
28.	14SW	04715	Spring Washer	1	1
29.	14FN	04712	Nut	1	1
30.	C18	R104	Lining c/w Rivets	1	1
31.	C19	R105	Base, Clutch Fork & Brake Arm	1 pair	1 pair
32.	51608FB	04766	Bolt	4	4
33.	516PW	04723	Plain Washer	4	4
34.	516SW	04724	Spring Washer	4	4
35.	73919S	04774	Clevis Pin	7	7
36.	1806SP	04777	Split Pin	7	7



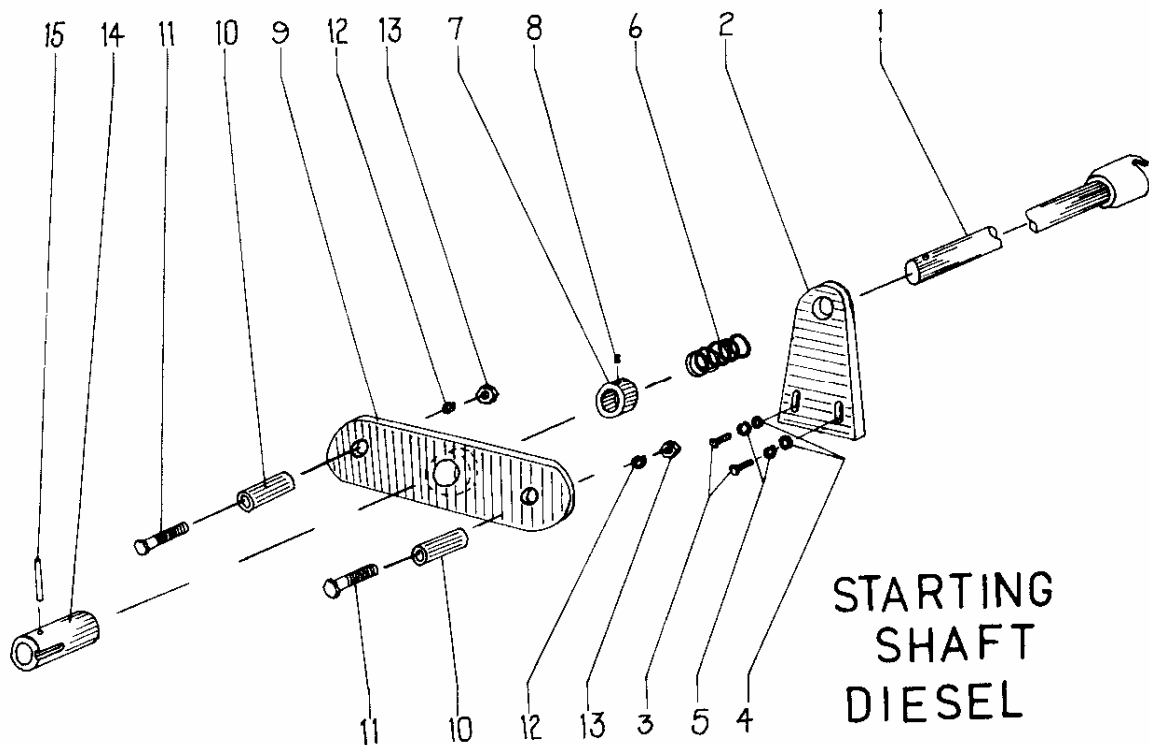
ENGINE/DIESEL					
ILLUS. No.	PART NO.		DESCRIPTION	DIESEL	
	OLD	NEW		3ft	4ft
1.			No Longer Available		
2.	3EE	R027	Engine Mounting Blocks	2	2
3.	1244CB	04742	Bolt	4	4
4.	12SW	04711	Spring Washer	4	4
5.	12CN	04709	Nut	4	4
6.	38PG	R023	Nipple Short	1	1
7.	PP45C	01812	Dowty Washer	1	1
8.	38PE-38PH	R022	Elbow c/w Nipple Long	1	1
9.	38PJ	R024	Socket	1	1
10.	114PEQ	R007	Elbow Male/Female	1	1
11.	F8A	R152	Flange	1	1
12.	F8B	R154	Gasket	2	2
13.	36606162	R019	Flexible Exhaust	1	1
14.	51610FB	04769	Bolt	2	2
15.	516SW	04724	Spring Washer	2	2
16.	516FN	04722	Nut	2	2
17.	51608FB	04766	Bolt	2	2
18.	516SW	04724	Spring Washer	2	2
19.	F9L	R156	Silencer	1	1
20.	38SW	04719	Spring Washer	2	2
21.	38CN	04717	Nut	2	2
22.	F10	R142	Baffle Tube	1	1
23.	516SW	04724	Spring Washer	2	2
24.	51606FB	04762	Bolt	2	2
25.	F19L	R147	Guard Silencer	1	1
26.	1406FB	04745	Bolt	3	3
27.	14PW	04714	Plain Washer	3	3
28.	14SW	04715	Spring Washer	3	3
29.	14FN	04712	Nut	3	3
30.	4E3L	R055	Decompression Rod		1
31.	E36L	R135	Knob - Decompression Rod		1
32.	14FL	04713	Lock Nut		1
33.	2BA06	04780	Bolt		1
34.	2BAN	04781	Lock Nut		1
35.	E4L	R136	Bracket		1
36.	1406FB	04745	Bolt		2
37.	14SW	04715	Spring Washer		2
38.	14FN	04712	Nut		2
39.	E32L	R134	Guard Flywheel	1	1
40.	51606FB	04762	Bolt	3	3
41.	516SW	04724	Spring Washer	3	3
42.	E5L	R137	Sprocket	1	1
43.	E6L	R138	Key - Sprocket	1	1
44.	38WA	04720	Allen Screw	2	2
	20112510		Starting Handle	1	1



BATTERY BOX/DIESEL					
ILLUS. No.	PART NO.		DESCRIPTION	DIESEL	
	OLD	NEW		3ft	4ft
1.			No Longer Available		
2.			No Longer Available		
3.			No Longer Available		
4.			No Longer Available		
5.			No Longer Available		
6.			No Longer Available		
7.			No Longer Available		
8.			No Longer Available		
9.			No Longer Available		
10.			No Longer Available		

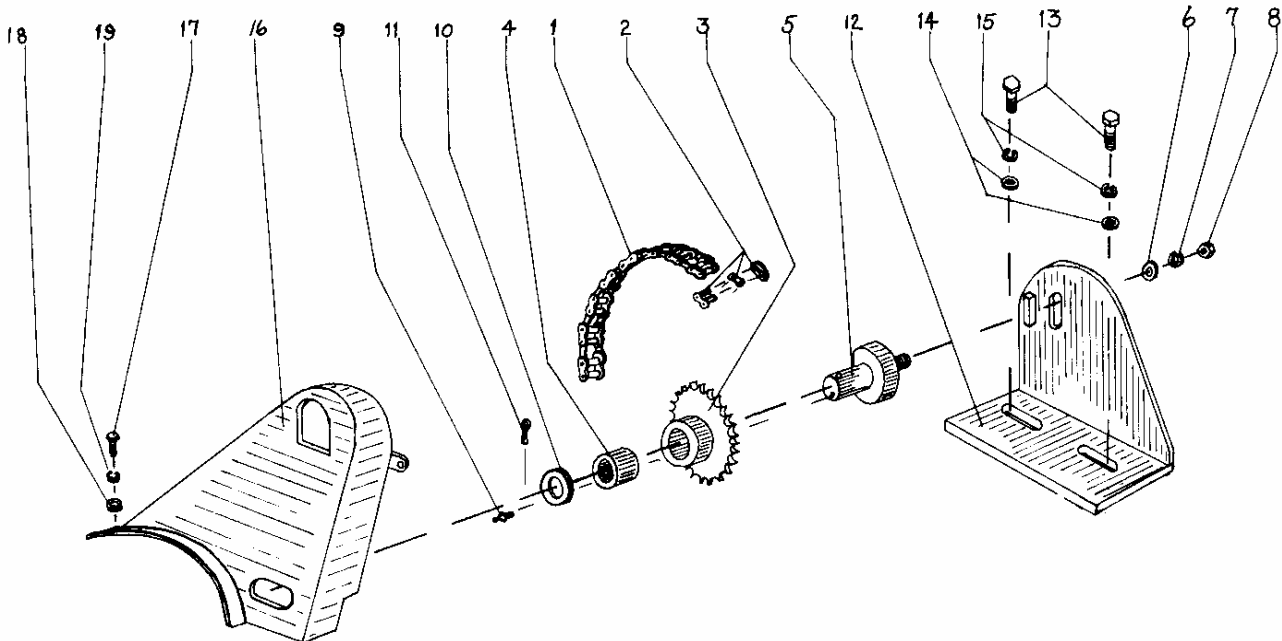


STARTING SHAFT/DIESEL					
ILLUS. No.	PART NO.		DESCRIPTION	DIESEL	
	OLD	NEW		3ft	4ft
1.	3LSS1	R043	Shaft	1	
1.	4LSS1	R071	Shaft		1
2.	LSS2	R230	Bracket	1	1
3.	3808C	04751	Set Screw	2	2
4.	38PW	04718	Plain Washer	2	2
5.	38SW	04719	Spring Washer	2	2
6.	C4	R108	Spring	1	1
7.	10COL	R304	Collar	1	1
8.	516WA	04725	Allen Screw	1	1
9.	LSS5	R231	Guide	1	1
10.	LSS6	R232	Distance Piece	2	2
11.	1226CB	04741	Bolt	2	2
12.	12SW	04711	Spring Washer	2	2
13.	12CN	04709	Nut	2	2
14.	LSS7	R233	Boss	1	1
15.	LSS8	R234	Pin	1	1



**PRIMARY DRIVE/DIESEL**

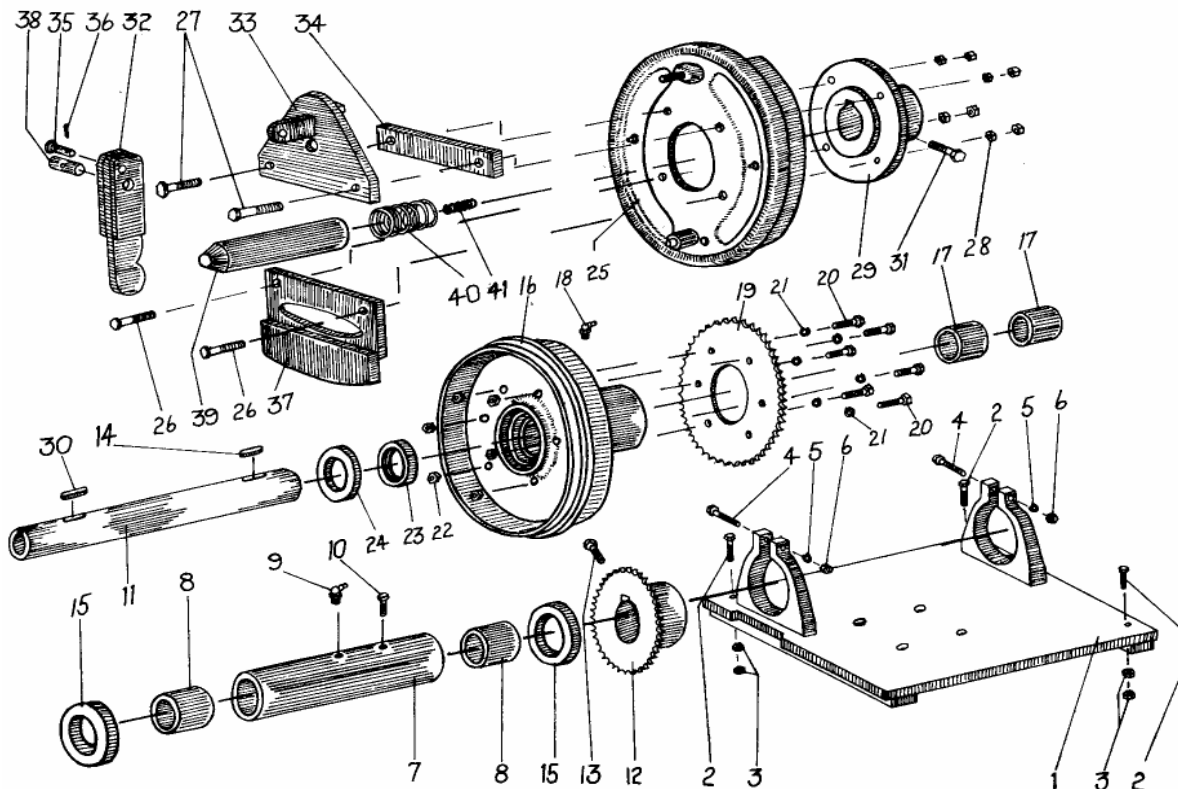
ILLUS. No.	PART NO.		DESCRIPTION	DIESEL	
	OLD	NEW		3ft	4ft
1.	LPD1	R218	Chain	1	1
2.	11004626	R003	Connecting Link	1	1
3.	LPD3	R219	Sprocket, Jockey	1	1
4.	LPD4	R220	Bush	1	1
5.	LPD5	R221	Pin	1	1
6.	12PW	04710	Plain Washer	1	1
7.	12SW	04711	Spring Washer	1	1
8.	12CN	04709	Nut	1	1
9.	NA6625	04782	Grease Nipple	1	1
10.	10PW	02674	Plain Washer	1	1
11.	1812SP	04778	Split Pin	1	1
12.			No Longer Available		
13.	1208CS	04731	Set Screw	2	2
14.	12PW	04710	Plain Washer	2	2
15.	12SW	04711	Spring Washer	2	2
16.			No Longer Available		
17.	51607BB	04764	Set Screw	1	1
18.	516PW	04723	Plain Washer	1	1
19.	516SW	04724	Spring Washer	1	1



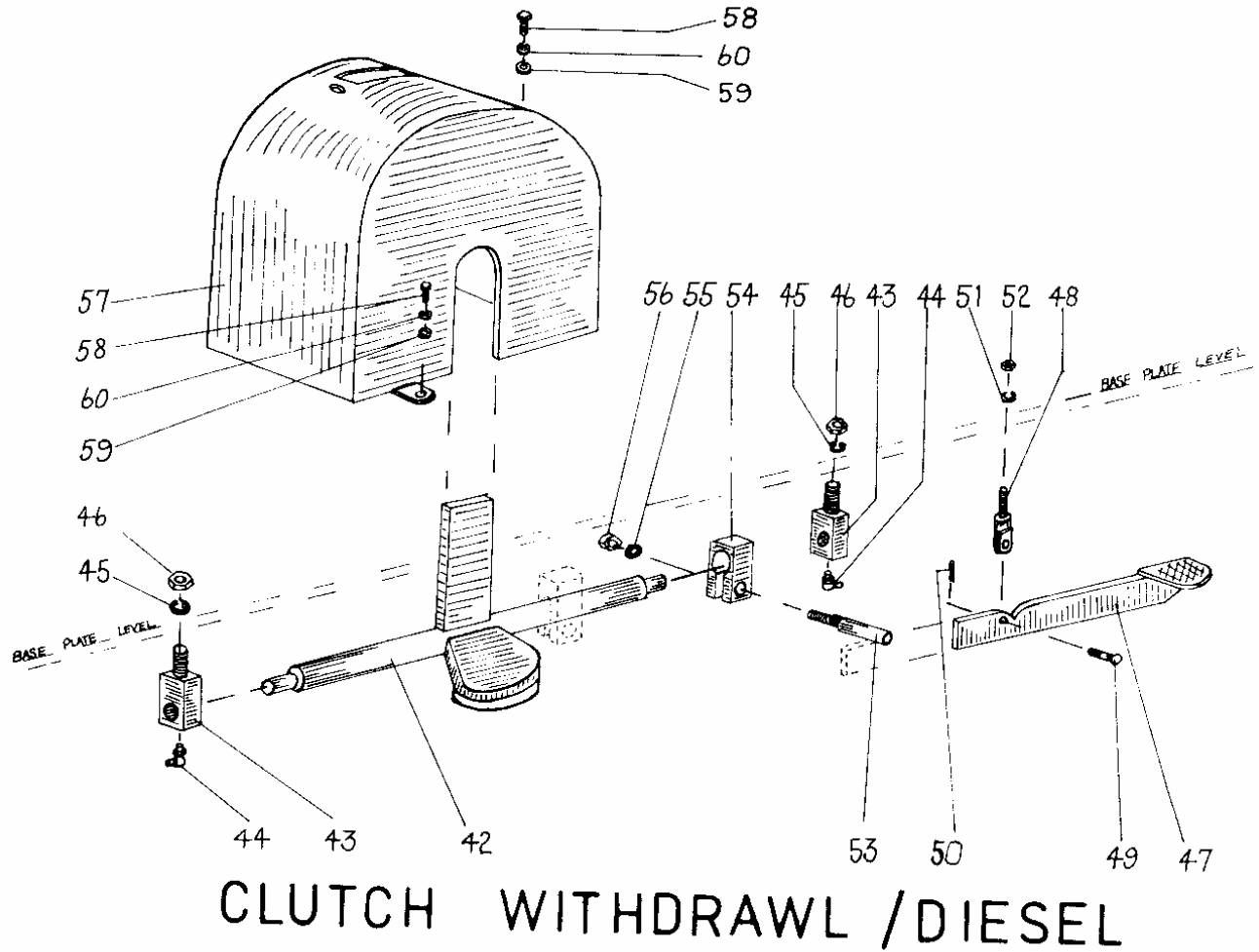


## CLUTCH/DIESEL

ILLUS. No.	PART NO.		DESCRIPTION	DIESEL	
	OLD	NEW		3ft	4ft
1.			No Longer Available		
2.	1218CB	04737	Bolt	3	3
3.	12CN	04709	Nut	6	6
4.	1214BB	04734	Bolt, Clamp	2	2
5.	12SW	04711	Spring Washer	2	2
6.	12BN	04743	Nut	2	2
7.			No Longer Available		
8.	GH5014	R189	Bush, Tube	2	2
9.	NA6666	04783	Grease Nipple	1	1
10.	1404FS	04744	Set Screw	1	1
11.	LC5	R213	Shaft	1	1
12.	LC6	R214	Chain Wheel	1	1
13.	51606FS	04763	Set Screw	1	1
14.	LC7	R215	Key, Chain Wheel	2	2
15.	LC8	R216	Thrust Washer	1	1
16.	LC9	R217	Drum	2	2
17.	GH5014	R189	Bush	1	1
18.	NA6666	04783	Grease Nipple	1	1
19.	LC13	R193	Chain Wheel	6	6
20.	3812CB	04755	Bolt	6	6
21.	38SW	04719	Spring Washer	6	6
22.	38CN	04717	Nut	1	1
23.	23717537	R302	Oil Seal	1	1
24.	LC15	R194	Thrust Washer	1	1
25.			No Longer Available		
26.	3812BB	04753	Bolt	2	2
27.	3818CB	04759	Bolt	8	8
28.	38BN	04729	Nut	1	1
29.			No Longer Available		
30.	LC18	R197	Key, Adapter	1	1
31.	1208BB	04730	Set Screw	1	1
32.	LC19	R198	Arm, Clutch Operating	1	1
33.			No Longer Available		
34.			No Longer Available		
35.	73919S	04774	Pin	1	1
36.	1808SP	04776	Split Pin	1	1
37.			No Longer Available		
38.	LC24	R203	Pull Rod Anchor	1	1
39.	LC25	R204	Plunger c/w Ball	1	1
40.	LC26	R205	Spring (Large)	1	1
41.	LC27	R206	Spring (Small)	1	1

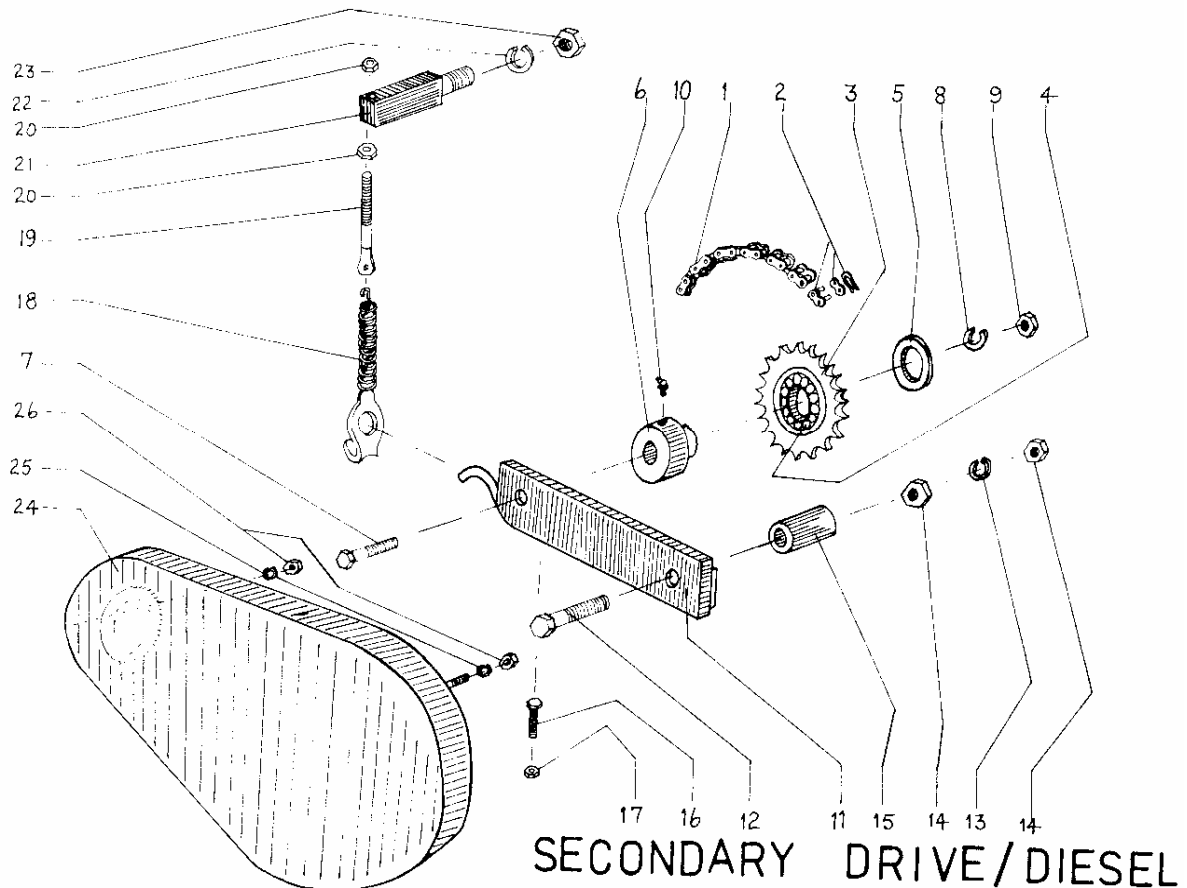


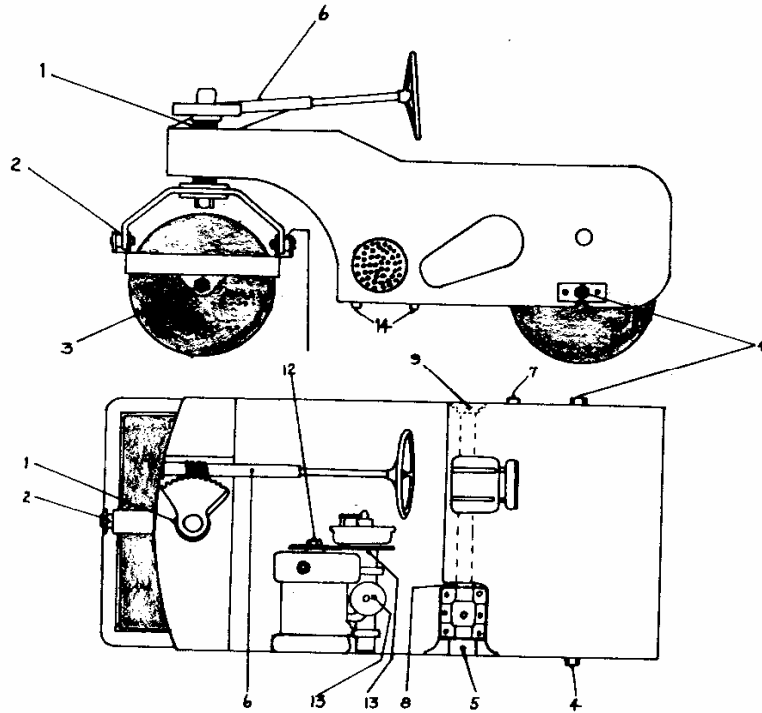
CLUTCH WITHDRAWAL/DIESEL					
ILLUS. No.	PART NO.		DESCRIPTION	DIESEL	
	OLD	NEW		3ft	4ft
42.	LC29	R207	Shaft, Clutch Operating	1	1
43.	LC30	R208	Bearing Pillar, Shaft	2	2
43.	NA5792	R237	Grease Nipple	2	2
44.	12SW	04711	Spring Washer	2	2
46.	12CN	04709	Nut	2	2
47.	LC32	R209	Pedal	1	1
48.	C8	R110	Clevis (Male)	1	1
49.	73919S	04774	Pin	1	1
50.	1808SP	04776	Split Pin	1	1
51.	38SW	04719	Spring Washer	1	1
52.	38CN	04717	Nut	1	1
53.	LC36	R210	Arm, Clutch Operating Shaft	1	1
54.	LC37	R211	Clamp	1	1
55.	12SW	04711	Spring Washer	1	1
56.	12CN	04709	Nut	1	1
57.			No Longer Available		
58.	51605FS	04761	Set Screw	2	2
59.	516PW	04723	Plain Washer	2	2
60.	516SW	04724	Spring Washer	2	2



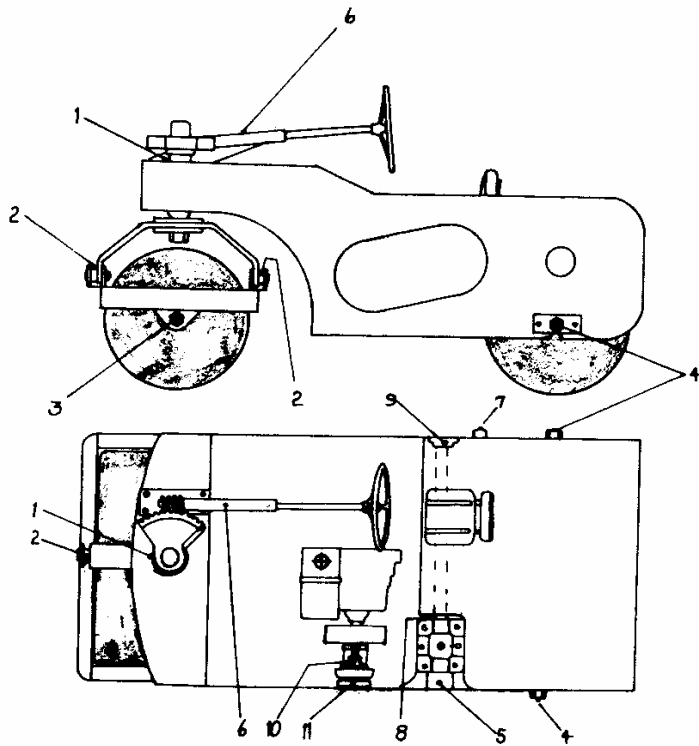
## SECONDARY DRIVE/DIESEL

ILLUS. No.	PART NO.		DESCRIPTION	DIESEL	
	OLD	NEW		3ft	4ft
1.	LSD1	R224	Chain	1	1
2.	11004626	R003	Connecting Link	1	1
3.	PD7	R254	Sprocket c/w Bearing	1	1
4.	SKFEE5	R284	Bearing	1	1
5.	PD9	04718	Washer	1	1
6.	PD10	R239	Adapter, Bearing	1	1
7.	3814CB	04757	Bolt	1	1
8.	38SW	04719	Spring Washer	1	1
9.	38CN	04717	Nut	1	1
10.	NA6666	04783	Grease Nipple	1	1
11.	LSD8	R228	Arm, Jockey	1	1
12.	PD4L	R251	Swivel Pin	1	1
13.	12SW	04711	Spring Washer	1	1
14.	12BN	04743	Nut	2	2
15.	LSD9	R229	Distance Piece	1	1
16.	3812CS	04756	Screw Adjuster Jockey Stop	1	1
17.	38CN	04717	Nut	1	1
18.	LSD11	R225	Spring, Bonnit	1	1
19.	PD13	R240	Adjuster, Spring	1	1
20.	14FN	04712	Nut	2	2
21.	PD14D	R241	Pillar, Spring Adjuster	1	1
22.	12SW	04711	Spring Washer	1	1
23.	12CN	04709	Nut	1	1
24.	LSD14	R226	Chain Case	1	1
25.	38SW	04719	Spring Washer	2	2
26.	38CN	04717	Nut	2	2





**GREASING POINTS - DIESEL MODELS**



**GREASING POINTS - PETROL MODELS**